

# DC BRUSHLESS FAN GENERAL DATA

**FRAME:** INJECTION MOULDED NON-FLAMMABLE BLACK THERMOPLASTIC UL94V-0 RATING.

**MOTOR:** BRUSHLESS DC MOTOR.

**IMPELLER:** INJECTION MOULDED NON-FLAMMABLE BLACK THERMOPLASTIC UL94V-0 RATING.

**BEARING:** PRECISION, LIFE LUBRICATED BALL BEARING SYSTEM.  
PRECISION, OIL IMPREGNATED SINTERED SLEEVE BEARING SYSTEM.

**INSULATION RESISTANCE:** 10 MEGOHMS MINIMUM AT 500VDC.

**DIELECTRIC STRENGTH:** 1 MINIMUM AT 500 VAC/60Hz (BETWEEN FRAME AND TERMINAL).

**OPERATING TEMPERATURE:** -10°C TO +70°C FOR THE SLEEVE BEARING.  
-20°C TO +80°C FOR THE BALL BEARING.

**OPERATING VOLTAGE:** RATED VOLTAGE +15%.

**AMBIENT HUMIDITY:** BALL BEARING RH20%-85%.  
SLEEVE BEARING RH20%-80%.

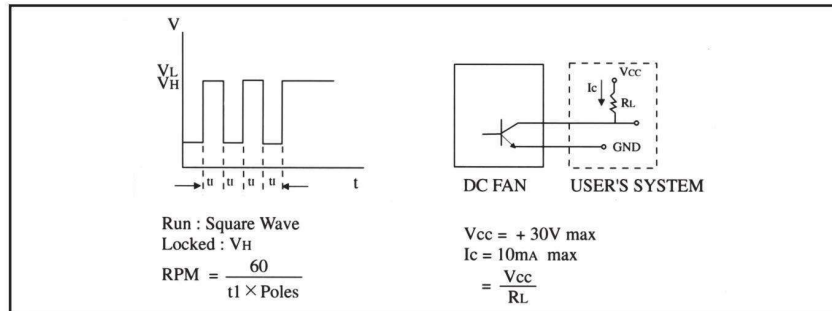
**NOISE LEVEL RANGE IS FROM 20 TO 46dBA DEPENDING ON THE SPEED AND MODEL SELECTED.**

**WARRANTY:** COMMONWEALTH FANS ARE WARRANTED FREE OF CHARGE ON DEFECTIVE MATERIALS AND WORKMANSHIP FOR ONE YEAR FROM THE DATE OF DELIVERY.

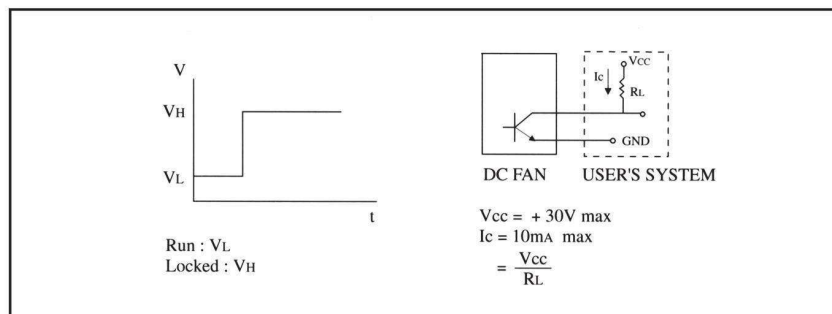
# COMMONWEALTH DC BRUSHLESS FAN

## THE OUTPUT OF 3<sup>RD</sup> WIRE SIGNAL

### A. FREQUENCY GENERATOR FUNCTION (FG TYPE FOR SPEED SENSOR SIGNAL)



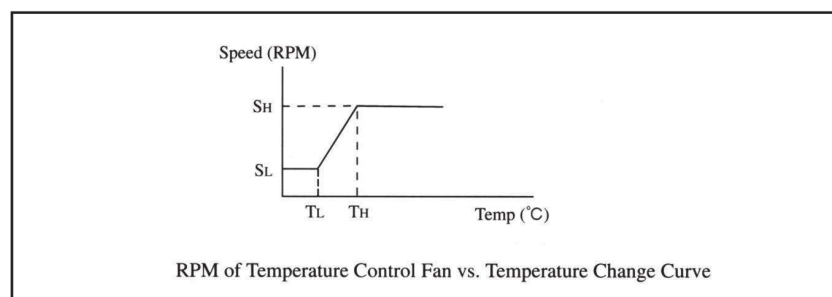
### B. ROTATION DETECTOR FUNCTION (RD TYPE FOR ROTOR LOCKED ALARM SIGNAL)



### C. SPECIAL FUNCTION

#### ● TEMPERATURE CONTROL

WHEN THE APPLICATION ENVIRONMENT OF COOLING FAN IS RATHER SENSITIVE TO THE NOISE, IT NEEDS A FAN THAT ENABLES AIRFLOW TO CHANGE WITH THE ACTUAL OPERATION TEMPERATURE OF THE SYSTEM, THAT UNDER THE PRE-REQUISITION OF SYSTEM HEAT DISSIPATING TEMPERATURE (SO IS THE AIRFLOW) AND THE NOISE LEVEL WILL DROP COMPARATIVELY. WHEN THE ACTUAL OPERATING TEMPERATURE IS RISEN, THE RPM OF COOLING FAN WILL INCREASE AND INCREASE THE AIRFLOW AND TO ACHIEVE TOTAL HEAT DISSIPATION.

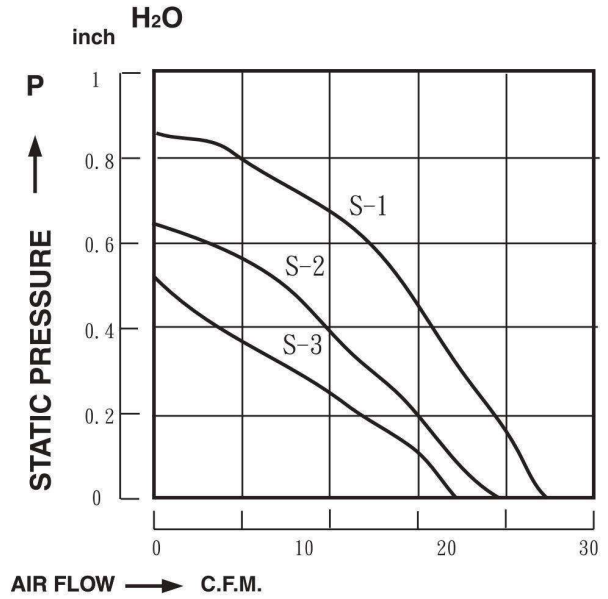
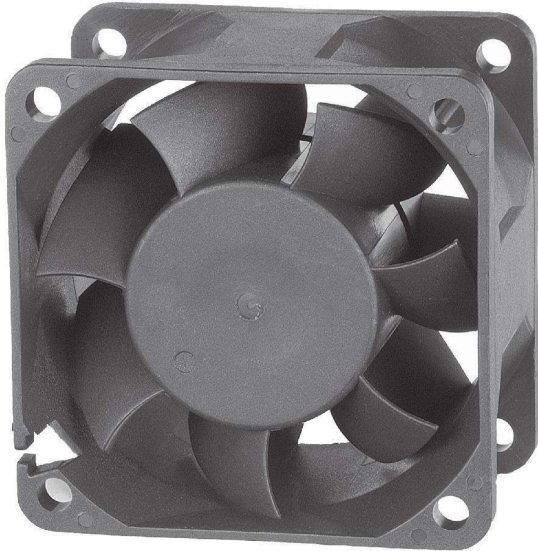




HIGH PERFORMANCE TYPE

FP-108FD/DC

60x60x38mm

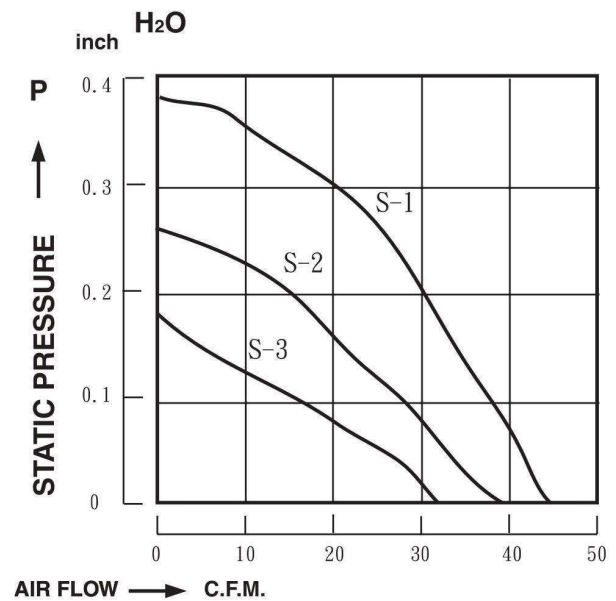


4

HIGH PERFORMANCE TYPE

FP-108RD/DC

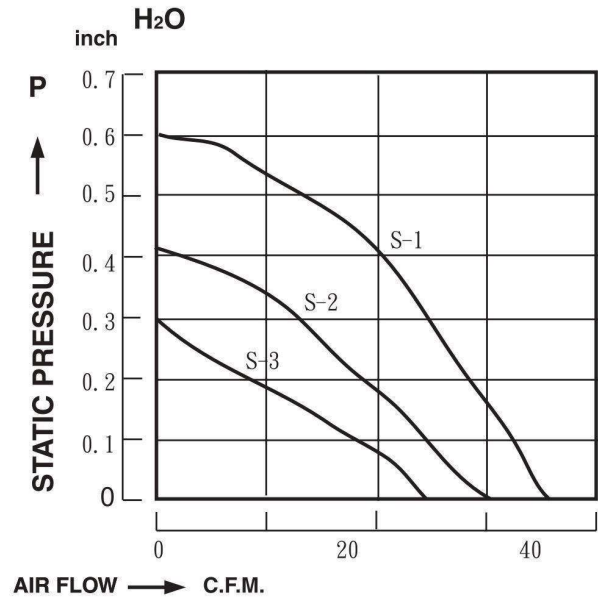
70x70x38mm





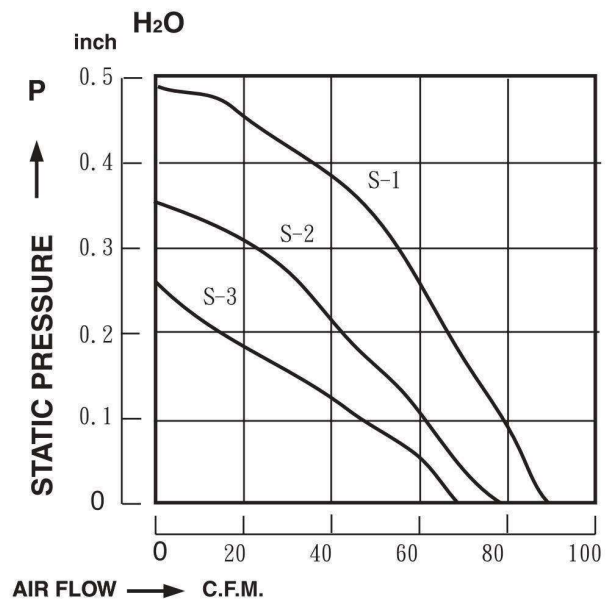
# HIGHLIGHTING THE NEW PRODUCTS- DC BRUSHLESS FAN

## HIGH PERFORMANCE TYPE FP-108DG/DC 80x80x38mm



60

## HIGH PERFORMANCE TYPE FP-108BX/DC 92x92x38mm





# COMMONWEALTH DC BRUSHLESS FAN

## FP-108EX/DC

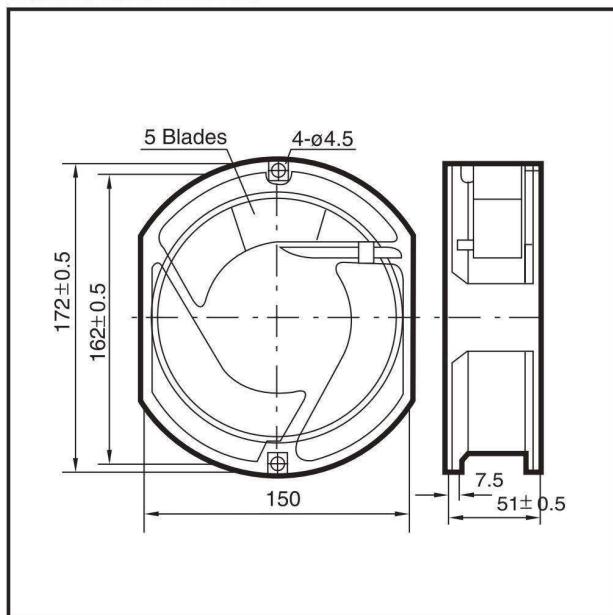
172x150x51mm HALLY



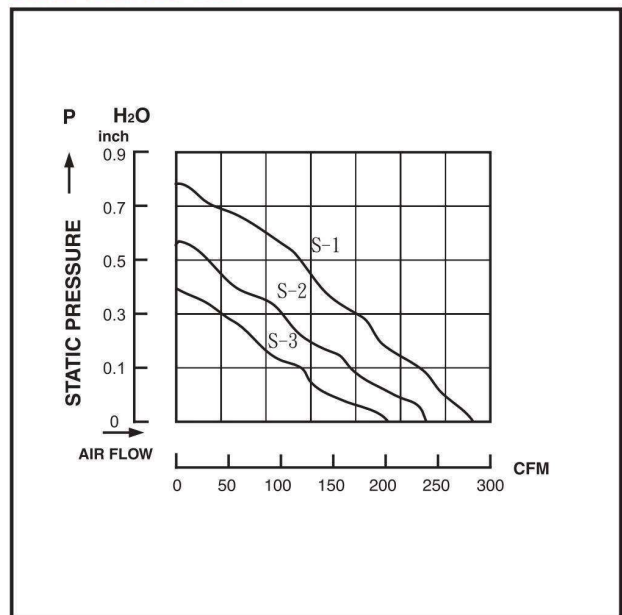
### DESIGN FEATURES

- \*BEARING SYSTEM: BALL BEARING
- \*IMPELLER: PLASTIC WITH FIBER GLASS FILLED UL 94V-0
- \*HOUSING: DIE CAST ALUMINUM PAINTED BLACK
- \*MOTOR: BRUSHLESS DC
- \*CONNECTING: WIRE LEADS
- \*SPEED: S-1 HIGH SPEED TYPE  
S-2 MEDIUM SPEED TYPE  
S-3 LOW SPEED TYPE
- \*AVAILABLE FG TYPE FOR SPEED SENSOR SIGNAL

### DIMENSIONS:MM



### PERFORMANCE



### SPECIFICATIONS

Specifications are subject to change without notice

MODEL NO.	VOLTAGE (VDC)	AIR (CFM)	VOLUME (M <sup>3</sup> /MIN)	CURRENT (A)	POWER (W)	SPEED (RPM)	STATIC PRESSURE (INCH-H <sub>2</sub> O)	NOISE (dBA)
FP-108EX/DC (S-1)	12	270	7.64	2.20	26.40	3150	0.67	60
	24	290	8.23	1.20	28.80	3400	0.78	63
	48	290	8.23	0.73	35.04	3400	0.78	63
FP-108EX/DC (S-2)	12	245	6.94	1.80	21.60	2900	0.55	58
	24	245	6.94	0.77	18.48	2900	0.55	58
	48	245	6.94	0.38	18.24	2900	0.55	58
FP-108EX/DC (S-3)	12	205	5.80	1.10	13.20	2400	0.40	53
	24	205	5.80	0.48	11.52	2400	0.40	53
	48	205	5.80	0.25	12.00	2400	0.40	53

# COMMONWEALTH DC BRUSHLESS FAN

## FP-108CX/DC

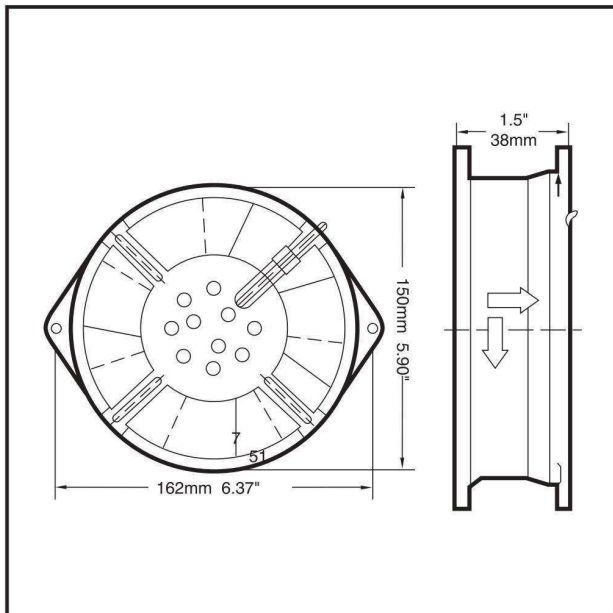
162x150x38mm URANUS

### DESIGN FEATURES

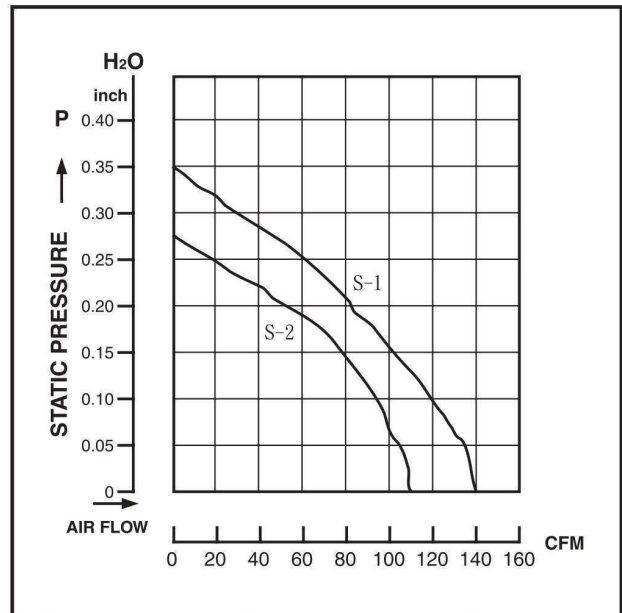
- \*BEARING SYSTEM: SLEEVE BEARING & BALL BEARING
- \*IMPELLER: PLASTIC WITH FIBER GLASS FILLED UL 94V-0
- \*HOUSING: DIE CAST ALUMINUM PAINTED BLACK OR NATURAL COLOR
- \*MOTOR: BRUSHLESS DC
- \*CONNECTING: WIRE LEADS
- \*SPEED: S-1 HIGH SPEED TYPE  
S-2 MEDIUM SPEED TYPE
- \*AVAILABLE FG TYPE FOR SPEED SENSOR SIGNAL
- \*AVAILABLE RD TYPE FOR ROTOR LOCKED ALARM SIGNAL



### DIMENSIONS:MM



### PERFORMANCE



### SPECIFICATIONS

Specifications are subject to change without notice

MODEL NO.	VOLTAGE (VDC)	AIR (CFM)	VOLUME (M <sup>3</sup> /MIN)	CURRENT (A)	POWER (W)	SPEED (RPM)	STATIC PRESSURE (INCH-H <sub>2</sub> O)	NOISE (dBA)
FP-108CX/DC (S-1)	12	140	4.00	0.75	9.0	2200	0.35	42
	24	140	4.00	0.40	9.60	2200	0.35	42
	48	140	4.00	0.23	11.04	2200	0.35	42
FP-108CX/DC (S-2)	12	110	3.12	0.55	6.60	1800	0.28	38
	24	110	3.12	0.35	8.40	1800	0.28	38
	48	110	3.12	0.19	9.12	1800	0.28	38

# COMMONWEALTH DC BRUSHLESS FAN



## FP-108-7/DC

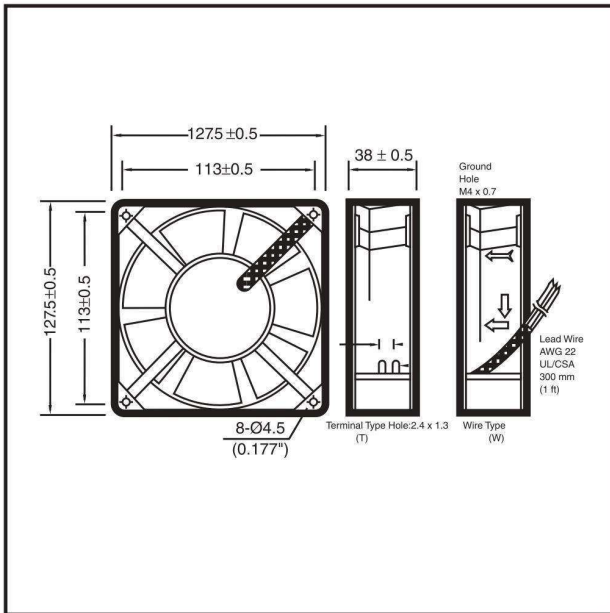
127x127x38mm

### DESIGN FEATURES

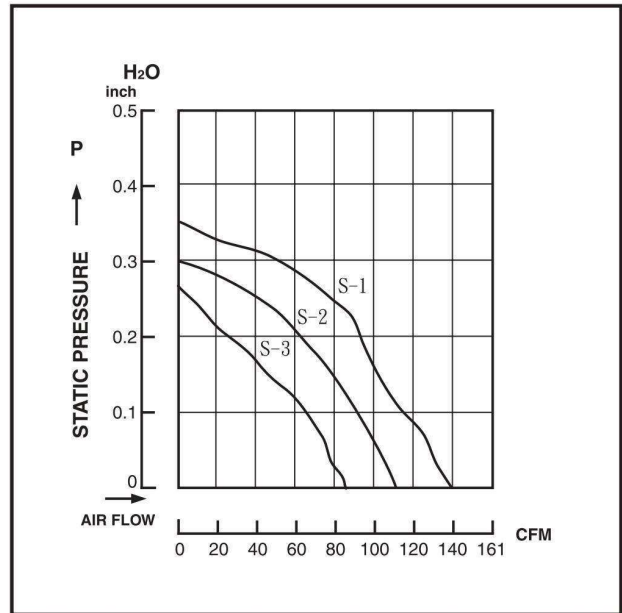
- \*BEARING SYSTEM: SLEEVE BEARING & BALL BEARING
- \*IMPELLER: PLASTIC WITH FIBER GLASS FILLED UL 94V-0
- \*HOUSING: DIE CAST ALUMINUM PAINTED BLACK
- \*MOTOR: BRUSHLESS DC
- \*CONNECTING: WIRE LEADS
- \*SPEED: S-1 HIGH SPEED TYPE  
S-2 MEDIUM SPEED TYPE  
S-3 LOW SPEED TYPE
- \*AVAILABLE FG TYPE FOR SPEED SENSOR SIGNAL
- \*AVAILABLE RD TYPE FOR ROTOR LOCKED ALARM SIGNAL



### DIMENSIONS:MM



### PERFORMANCE



### SPECIFICATIONS

Specifications are subject to change without notice

MODEL NO.	VOLTAGE (VDC)	AIR (CFM)	VOLUME (M <sup>3</sup> /MIN)	CURRENT (A)	POWER (W)	SPEED (RPM)	STATIC PRESSURE (INCH-H <sub>2</sub> O)	NOISE (dBA)
FP-108-7/DC (S-1)	12	140	4.00	0.48	5.76	3000	0.35	45
	24	140	4.00	0.33	7.92	3000	0.35	45
	48	140	4.00	0.25	12.00	3000	0.35	45
FP-108-7/DC (S-2)	12	110	3.10	0.35	4.20	2500	0.30	38
	24	110	3.10	0.25	6.00	2500	0.30	38
	48	110	3.10	0.22	10.56	2500	0.30	38
FP-108-7/DC (S-3)	12	85	2.40	0.25	3.00	2000	0.28	32
	24	85	2.40	0.20	4.80	2000	0.28	32
	48	85	2.40	0.18	8.64	2000	0.28	32



# COMMONWEALTH DC BRUSHLESS FAN

## FP-108/DC

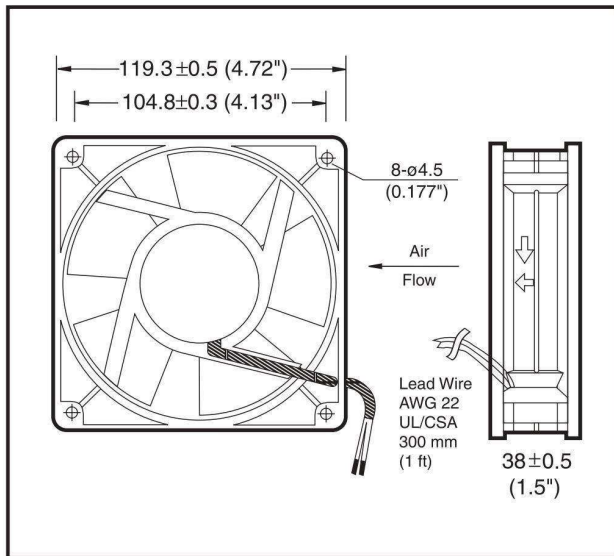
120x120x38mm

### DESIGN FEATURES

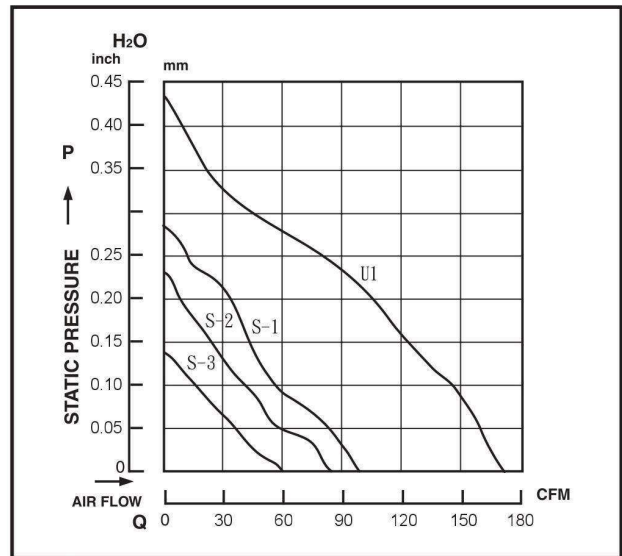
- \*BEARING SYSTEM: SLEEVE BEARING & BALL BEARING
- \*IMPELLER: PLASTIC WITH FIBER GLASS FILLED UL 94V-0
- \*HOUSING: DIE CAST ALUMINUM PAINTED BLACK OR NATURAL COLOR  
PLASTIC WITH FIBER GLASS FILLED UL 94V-0
- \*MOTOR: BRUSHLESS DC
- \*CONNECTING: WIRE LEADS
- \*SPEED: S-1 HIGH SPEED TYPE  
S-2 MEDIUM SPEED TYPE  
S-3 LOW SPEED TYPE
- \*OTHER VOLTAGE: 36, 48V ARE AVAILABLE
- \*AVAILABLE FG TYPE FOR SPEED SENSOR SIGNAL
- \*AVAILABLE RD TYPE FOR ROTOR LOCKED ALARM SIGNAL



### DIMENSIONS:MM



### PERFORMANCE



### SPECIFICATIONS

Specifications are subject to change without notice

MODEL NO.	VOLTAGE (VDC)	AIR (CFM)	VOLUME (M <sup>3</sup> /MIN)	CURRENT (A)	POWER (W)	SPEED (RPM)	STATIC PRESSURE (INCH-H <sub>2</sub> O)	NOISE (dBA)
FP-108/DC (U1)	12	168	4.76	1.80	21.60	3400	0.43	50
FP-108/DC (S-1)	12	105	3.00	0.60	7.00	3000	0.28	45
	24	105	3.00	0.36	8.60	3000	0.28	45
	48	105	3.00	0.28	13.44	3000	0.28	45
FP-108/DC (S-2)	12	80	2.42	0.45	5.40	2500	0.23	33
	24	80	2.42	0.28	6.72	2500	0.23	33
	48	80	2.42	0.20	9.60	2500	0.23	33
FP-108/DC (S-3)	12	60	1.70	0.28	3.36	1900	0.14	26
	24	60	1.70	0.14	3.36	1900	0.14	26
	48	60	1.70	0.13	6.24	1900	0.14	26

# COMMONWEALTH DC BRUSHLESS FAN

## FP-108-32/DC

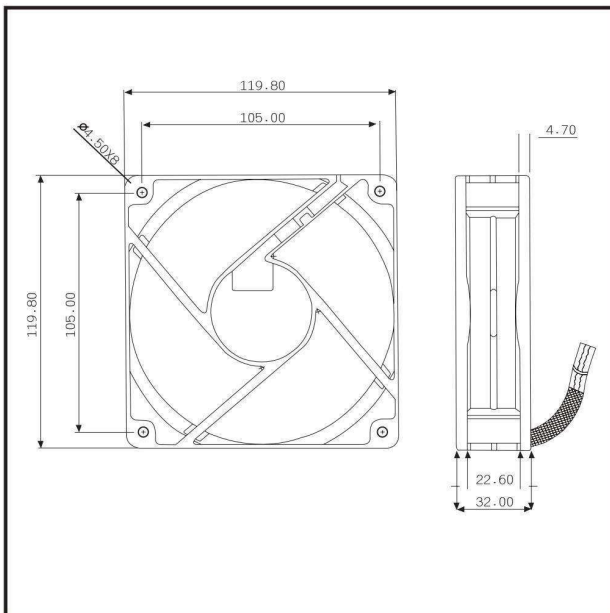
120x120x32mm



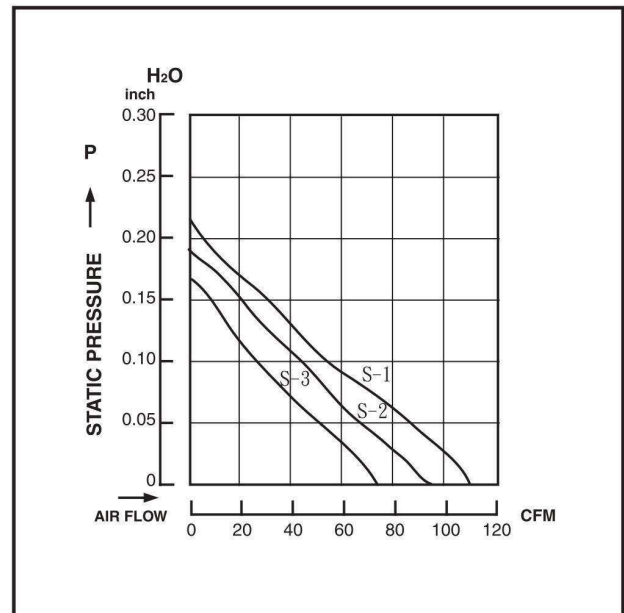
### DESIGN FEATURES

- \*BEARING SYSTEM: BALL BEARING & SLEEVE BEARING
- \*IMPELLER: PLASTIC WITH FIBER GLASS FILLED UL 94V-0
- \*HOUSING: PLASTIC WITH FIBER GLASS FILLED UL 94V-0
- \*MOTOR: BRUSHLESS DC
- \*CONNECTING: WIRE LEADS
- \*SPEED: S-1 HIGH SPEED TYPE  
S-2 MEDIUM SPEED TYPE  
S-3 LOW SPEED TYPE
- \*AVAILABLE FG TYPE FOR SPEED SENSOR SIGNAL
- \*AVAILABLE RD TYPE FOR ROTOR LOCKED ALARM SIGNAL

### DIMENSIONS:MM



### PERFORMANCE



### SPECIFICATIONS

Specifications are subject to change without notice

MODEL NO.	VOLTAGE (VDC)	AIR (CFM)	VOLUME (M <sup>3</sup> /MIN)	CURRENT (A)	POWER (W)	SPEED (RPM)	STATIC PRESSURE (INCH-H <sub>2</sub> O)	NOISE (dBA)
FP-108-32/DC (S-1)	12	110	3.11	0.42	5.04	2900	0.22	43
	24	110	3.11	0.30	7.20	2900	0.22	43
	48	110	3.11	0.18	8.64	2900	0.22	43
FP-108-32/DC (S-2)	5	95	2.70	0.63	3.15	2500	0.19	40
	12	95	2.70	0.30	3.60	2500	0.19	40
	24	95	2.70	0.25	6.00	2500	0.19	40
	48	95	2.70	0.14	6.72	2500	0.19	40
FP-108-32/DC (S-3)	5	77	2.20	0.48	2.40	2000	0.17	36
	12	77	2.20	0.22	2.64	2000	0.17	36
	24	77	2.20	0.20	4.80	2000	0.17	36
	48	77	2.20	0.10	4.80	2000	0.17	36

# COMMONWEALTH DC BRUSHLESS FAN

## FP-108M/DC

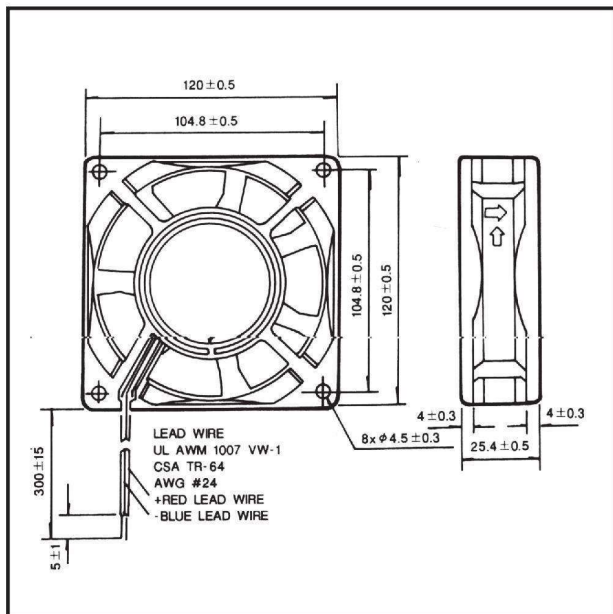
120x120x25.4mm



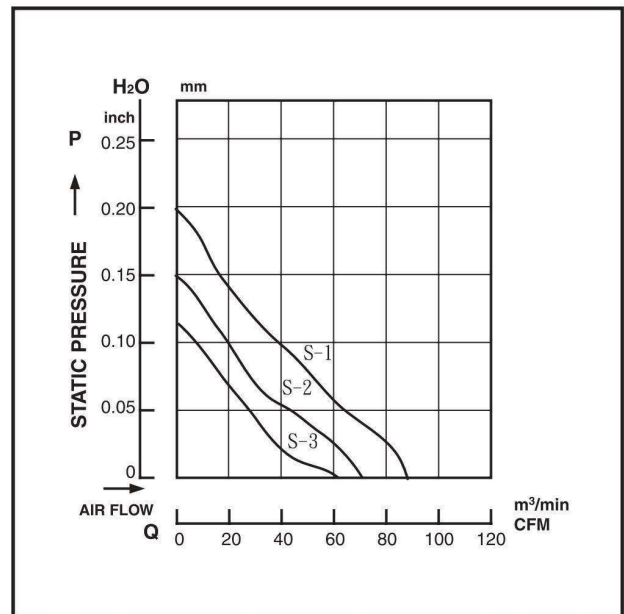
### DESIGN FEATURES

- \*BEARING SYSTEM: SLEEVE BEARING & BALL BEARING
- \*IMPELLER: PLASTIC WITH FIBER GLASS FILLED UL 94V-0
- \*HOUSING: PLASTIC WITH FIBER GLASS FILLED UL 94V-0
- \*MOTOR: BRUSHLESS DC
- \*CONNECTING: WIRE LEADS
- \*SPEED: S-1 HIGH SPEED TYPE  
S-2 MEDIUM SPEED TYPE  
S-3 LOW SPEED TYPE
- \*AVAILABLE FG TYPE FOR SPEED SENSOR SIGNAL
- \*AVAILABLE RD TYPE FOR ROTOR LOCKED ALARM SIGNAL

### DIMENSIONS:MM



### PERFORMANCE



### SPECIFICATIONS

Specifications are subject to change without notice

MODEL NO.	VOLTAGE (VDC)	AIR (CFM)	VOLUME (M <sup>3</sup> /MIN)	CURRENT (A)	POWER (W)	SPEED (RPM)	STATIC PRESSURE (INCH-H <sub>2</sub> O)	NOISE (dBA)
FP-108M/DC (S-1)	12	88	2.5	0.36	4.32	3000	0.20	45
	24	88	2.5	0.24	5.76	3000	0.20	45
FP-108M/DC (S-2)	12	75	2.1	0.25	3.00	2500	0.15	42
	24	75	2.1	0.18	4.32	2500	0.15	42
FP-108M/DC (S-3)	12	62	1.8	0.14	1.68	2000	0.12	25
	24	62	1.8	0.10	2.40	2000	0.12	25



# COMMONWEALTH DC BRUSHLESS FAN



## FP-108B/DC

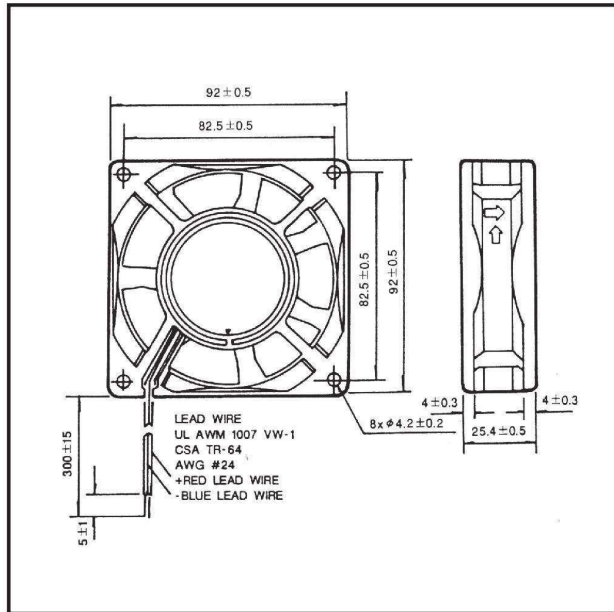
92x92x25.4mm

### DESIGN FEATURES

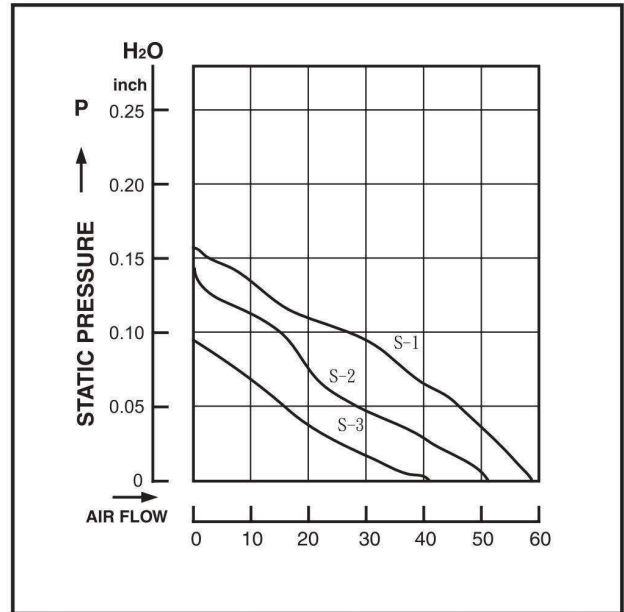
- \*BEARING SYSTEM: SLEEVE BEARING & BALL BEARING
- \*IMPELLER: PLASTIC WITH FIBER GLASS FILLED UL 94V-0
- \*HOUSING: PLASTIC WITH FIBER GLASS FILLED UL 94V-0
- \*MOTOR: BRUSHLESS DC
- \*CONNECTING: WIRE LEADS
- \*SPEED: S-1 HIGH SPEED TYPE  
S-2 MEDIUM SPEED TYPE  
S-3 LOW SPEED TYPE
- \*AVAILABLE FG TYPE FOR SPEED SENSOR SIGNAL
- \*AVAILABLE RD TYPE FOR ROTOR LOCKED ALARM SIGNAL



### DIMENSIONS:MM



### PERFORMANCE



### SPECIFICATIONS

Specifications are subject to change without notice

MODEL NO.	VOLTAGE (VDC)	AIR (CFM)	VOLUME (M <sup>3</sup> /MIN)	CURRENT (A)	POWER (W)	SPEED (RPM)	STATIC PRESSURE (INCH-H <sub>2</sub> O)	NOISE (dBA)
FP-108B/DC (S-1)	12 24	59.0	1.67	0.32 0.18	3.84 4.32	3000	0.16	36
FP-108B/DC (S-2)	12 24	50.5	1.43	0.20 0.14	2.40 3.36	2500	0.14	34
FP-108B/DC (S-3)	12 24	41.5	1.18	0.16 0.10	1.92 2.40	2200	0.09	26

# COMMONWEALTH DC BRUSHLESS FAN

## FP-108D/DC

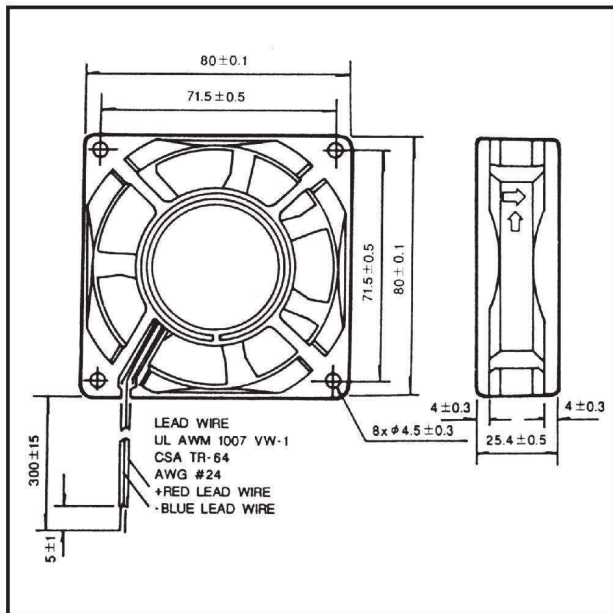
80x80x25.4mm

### DESIGN FEATURES

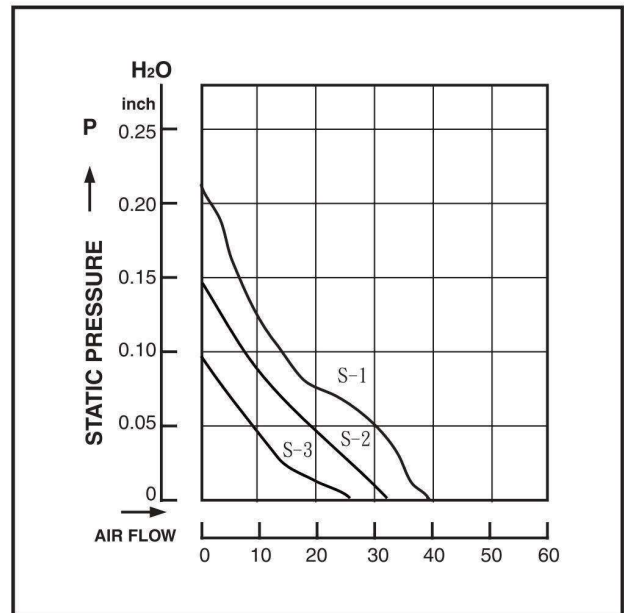
- \*BEARING SYSTEM: SLEEVE BEARING & BALL BEARING
- \*IMPELLER: PLASTIC WITH FIBER GLASS FILLED UL 94V-0
- \*HOUSING: PLASTIC WITH FIBER GLASS FILLED UL 94V-0
- \*MOTOR: BRUSHLESS DC
- \*CONNECTING: WIRE LEADS
- \*SPEED: S-1 HIGH SPEED TYPE  
S-2 MEDIUM SPEED TYPE  
S-3 LOW SPEED TYPE
- \*AVAILABLE FG TYPE FOR SPEED SENSOR SIGNAL
- \*AVAILABLE RD TYPE FOR ROTOR LOCKED ALARM SIGNAL



### DIMENSIONS:MM



### PERFORMANCE



### SPECIFICATIONS

Specifications are subject to change without notice

MODEL NO.	VOLTAGE (VDC)	AIR (CFM)	VOLUME (M <sup>3</sup> /MIN)	CURRENT (A)	POWER (W)	SPEED (RPM)	STATIC PRESSURE (INCH-H <sub>2</sub> O)	NOISE (dBA)
FP-108D/DC (S-1)	12	40	1.13	0.20	2.40	3200	0.22	35
	24	40	1.13	0.13	3.12	3200	0.22	35
FP-108D/DC (S-2)	12	33	0.93	0.16	1.92	2600	0.15	32
	24	33	0.93	0.11	2.64	2600	0.15	32
FP-108D/DC (S-3)	12	27.8	0.79	0.12	1.44	2200	0.09	25
	24	27.8	0.79	0.09	2.16	2200	0.09	25

# COMMONWEALTH DC BRUSHLESS FAN

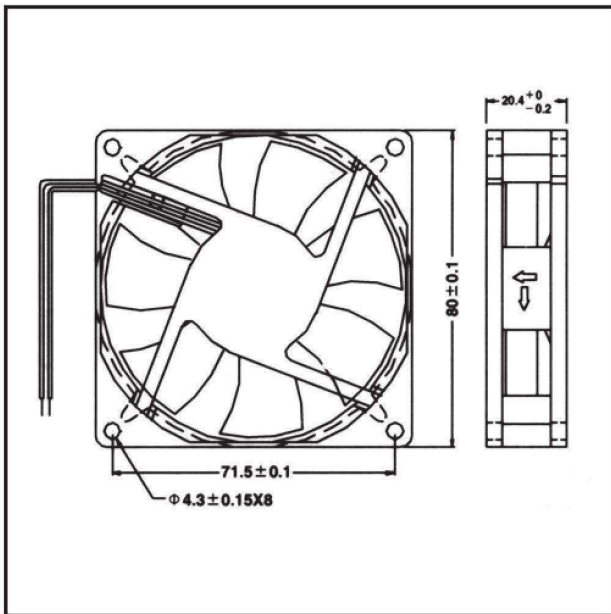
## FP-108DX/DC

80x80x20mm

### DESIGN FEATURES

- \*BEARING SYSTEM: SLEEVE BEARING & BALL BEARING
- \*IMPELLER: PLASTIC WITH FIBER GLASS FILLED UL 94V-0
- \*HOUSING: PLASTIC WITH FIBER GLASS FILLED UL 94V-0
- \*MOTOR: BRUSHLESS DC
- \*CONNECTING: WIRE LEADS
- \*SPEED: S-U ULTRA SPEED
  - S-1 HIGH SPEED TYPE
  - S-2 MEDIUM SPEED TYPE
  - S-3 LOW SPEED TYPE
- \*AVAILABLE FG TYPE FOR SPEED SENSOR SIGNAL
- \*AVAILABLE RD TYPE FOR ROTOR LOCKED ALARM SIGNAL

### DIMENSIONS:MM

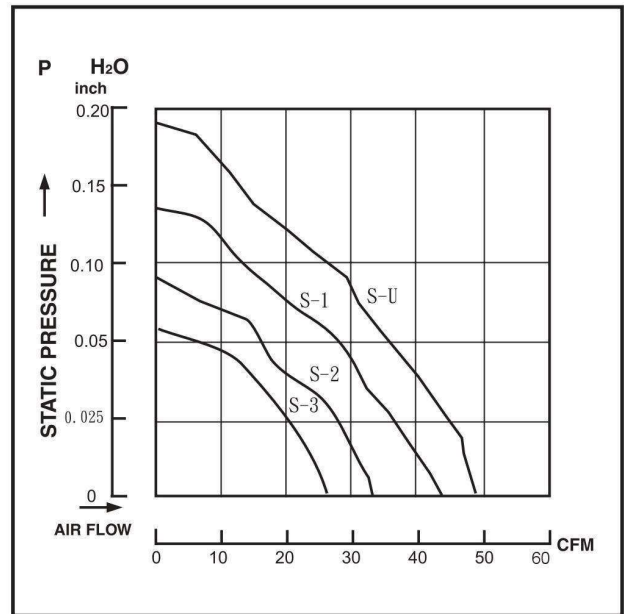


### SPECIFICATIONS

MODEL NO.	VOLTAGE (VDC)	AIR (CFM)	VOLUME (M <sup>3</sup> /MIN)	CURRENT (A)	POWER (W)	SPEED (RPM)	STATIC PRESSURE (INCH-H <sub>2</sub> O)	NOISE (dBA)
FP-108DX/DC (S-U)	12	49	1.39	0.35	4.20	3800	0.19	38
FP-108DX/DC (S-1)	12	42	1.19	0.25	3.00	3100	0.14	35
	24	42	1.19	0.18	4.32	3100	0.14	35
FP-108DX/DC (S-2)	5	34	0.96	0.30	1.50	2700	0.09	29
	12	34	0.96	0.16	1.92	2700	0.09	29
	24	34	0.96	0.14	3.36	2700	0.09	29
FP-108DX/DC (S-3)	5	27	0.76	0.22	1.10	2100	0.06	22
	12	27	0.76	0.11	1.32	2100	0.06	22
	24	27	0.76	0.08	1.92	2100	0.06	22



### PERFORMANCE



Specifications are subject to change without notice



# COMMONWEALTH DC BRUSHLESS FAN

## FP-108DT/DC

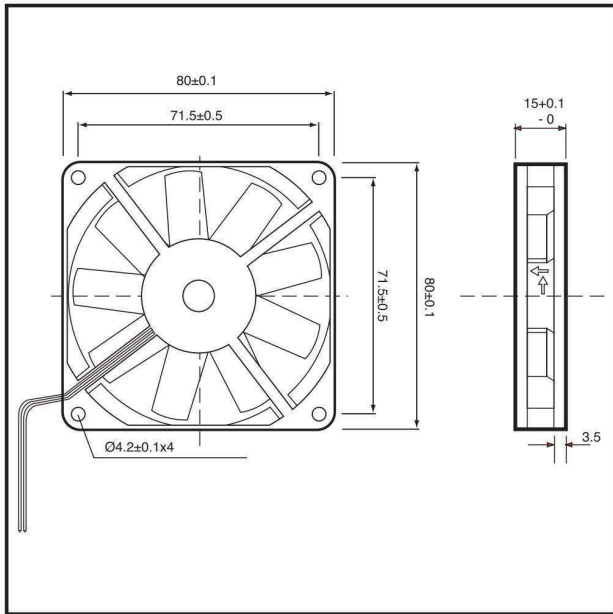
80x80x15mm

### DESIGN FEATURES

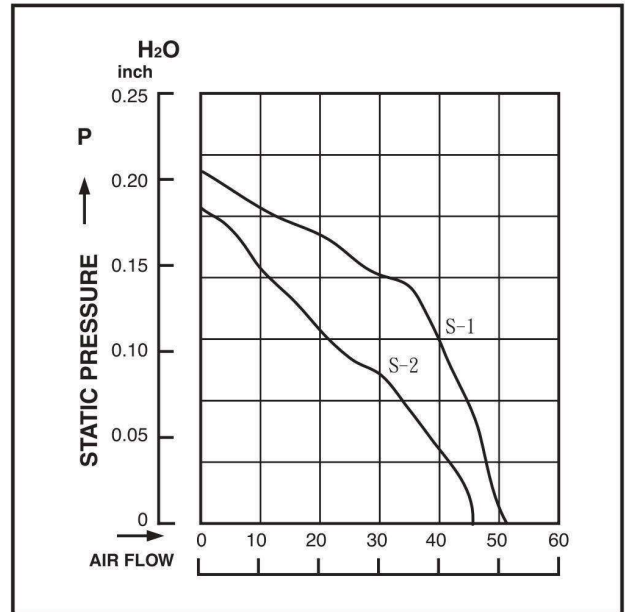
- \*BEARING SYSTEM: BALL BEARING & SLEEVE BEARING
- \*IMPELLER: PLASTIC WITH FIBER GLASS FILLED UL 94V-0
- \*HOUSING: PLASTIC WITH FIBER GLASS FILLED UL 94V-0
- \*MOTOR: BRUSHLESS DC
- \*CONNECTING: WIRE LEADS
- \*SPEED: S-1 HIGH SPEED TYPE  
S-2 MEDIUM SPEED TYPE
- \*AVAILABLE FG TYPE FOR SPEED SENSOR SIGNAL
- \*AVAILABLE RD TYPE FOR ROTOR LOCKED ALARM SIGNAL



### DIMENSIONS:MM



### PERFORMANCE



### SPECIFICATIONS

Specifications are subject to change without notice

MODEL NO.	VOLTAGE (VDC)	AIR (CFM)	VOLUME (M <sup>3</sup> /MIN)	CURRENT (A)	POWER (W)	SPEED (RPM)	STATIC PRESSURE (INCH-H <sub>2</sub> O)	NOISE (dBA)
FP-108DT/DC (S-1)	12	51	1.44	0.45	5.40	4000	0.21	42
	24	51	1.44	0.24	5.76	4000	0.21	42
FP-108DT/DC (S-2)	12	45	1.27	0.35	4.20	3500	0.17	40
	24	45	1.27	0.18	4.32	3500	0.17	40

# COMMONWEALTH DC BRUSHLESS FAN

## FP-108RX/DC

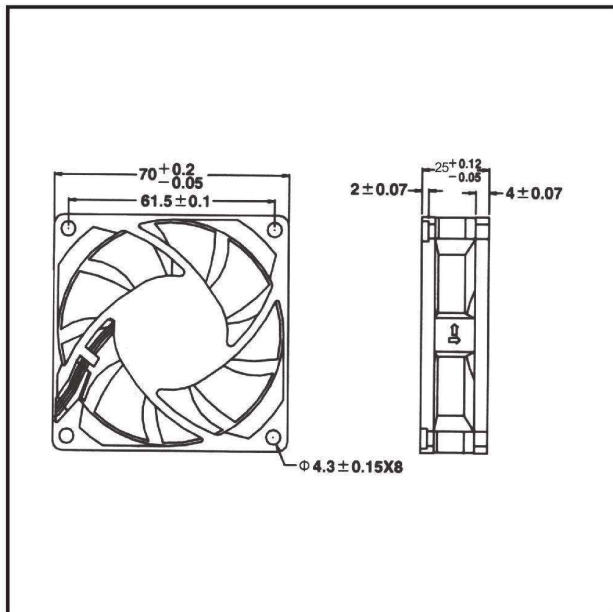
70x70x25mm

### DESIGN FEATURES

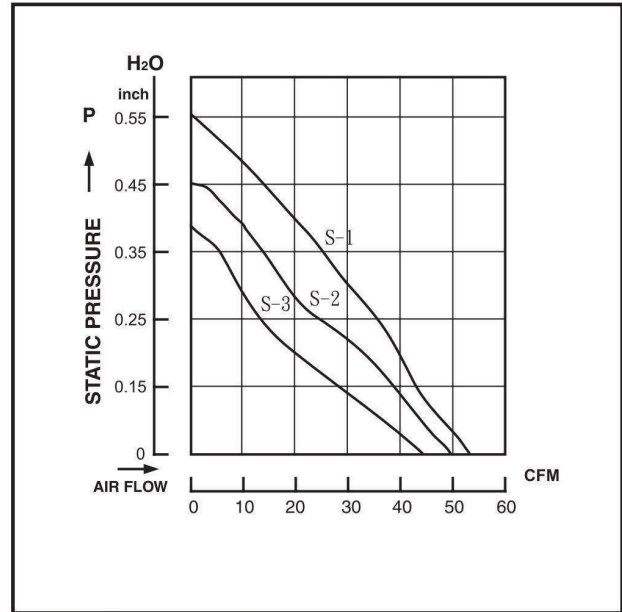
- \*BEARING SYSTEM: BALL BEARING & SLEEVE BEARING
- \*IMPELLER: PLASTIC WITH FIBER GLASS FILLED UL 94V-0
- \*HOUSING: PLASTIC WITH FIBER GLASS FILLED UL 94V-0
- \*MOTOR: BRUSHLESS DC
- \*CONNECTING: WIRE LEADS
- \*SPEED: S-1 HIGH SPEED TYPE  
S-2 MEDIUM SPEED TYPE  
S-3 LOW SPEED TYPE
- \*AVAILABLE FG TYPE FOR SPEED SENSOR SIGNAL
- \*AVAILABLE RD TYPE FOR ROTOR LOCKED ALARM SIGNAL



### DIMENSIONS:MM



### PERFORMANCE



### SPECIFICATIONS

Specifications are subject to change without notice

MODEL NO.	VOLTAGE (VDC)	AIR (CFM)	VOLUME (M <sup>3</sup> /MIN)	CURRENT (A)	POWER (W)	SPEED (RPM)	STATIC PRESSURE (INCH-H <sub>2</sub> O)	NOISE (dBA)
FP-108RX/DC (S-1)	12	54.0	1.53	0.62	7.44	6000	0.55	47
FP-108RX/DC (S-2)	12	50.0	1.40	0.52	6.24	5500	0.45	45
FP-108RX/DC (S-3)	12	45.3	1.28	0.33	3.96	5000	0.39	42

# COMMONWEALTH DC BRUSHLESS FAN

## FP-108RT/DC

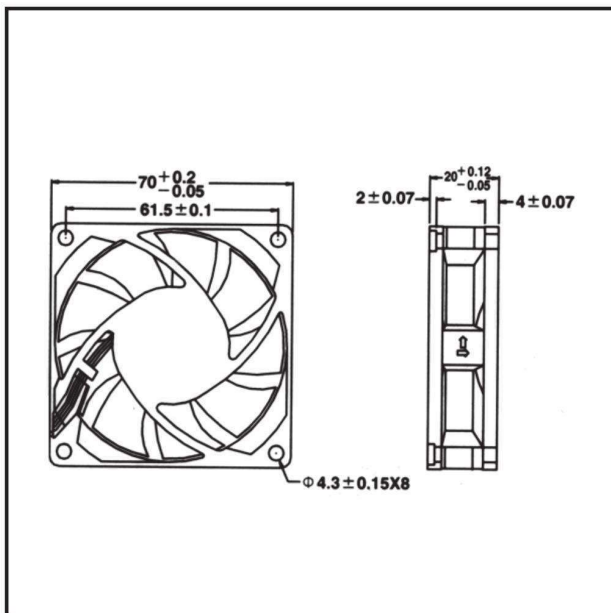
70x70x20mm

### DESIGN FEATURES

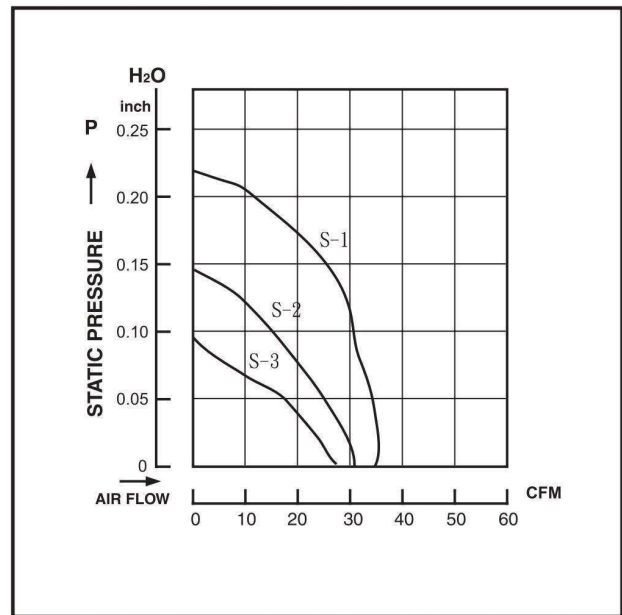
- \*BEARING SYSTEM: BALL BEARING & SLEEVE BEARING
- \*IMPELLER: PLASTIC WITH FIBER GLASS FILLED UL 94V-0
- \*HOUSING: PLASTIC WITH FIBER GLASS FILLED UL 94V-0
- \*MOTOR: BRUSHLESS DC
- \*CONNECTING: WIRE LEADS
- \*SPEED: S-1 HIGH SPEED TYPE  
S-2 MEDIUM SPEED TYPE  
S-3 LOW SPEED TYPE
- \*AVAILABLE FG TYPE FOR SPEED SENSOR SIGNAL
- \*AVAILABLE RD TYPE FOR ROTOR LOCKED ALARM SIGNAL



### DIMENSIONS:MM



### PERFORMANCE



### SPECIFICATIONS

Specifications are subject to change without notice

MODEL NO.	VOLTAGE (VDC)	AIR (CFM)	VOLUME (M <sup>3</sup> /MIN)	CURRENT (A)	POWER (W)	SPEED (RPM)	STATIC PRESSURE (INCH-H <sub>2</sub> O)	NOISE (dBA)
FP-108RT/DC (S-1)	12	36.0	1.02	0.30	4.60	4300	0.22	37
FP-108RT/DC (S-2)	12	30.5	0.86	0.18	2.16	3600	0.14	32
FP-108RT/DC (S-3)	12	24.5	0.69	0.15	1.80	2900	0.09	26



# COMMONWEALTH DC BRUSHLESS FAN



## FP-108R/DC

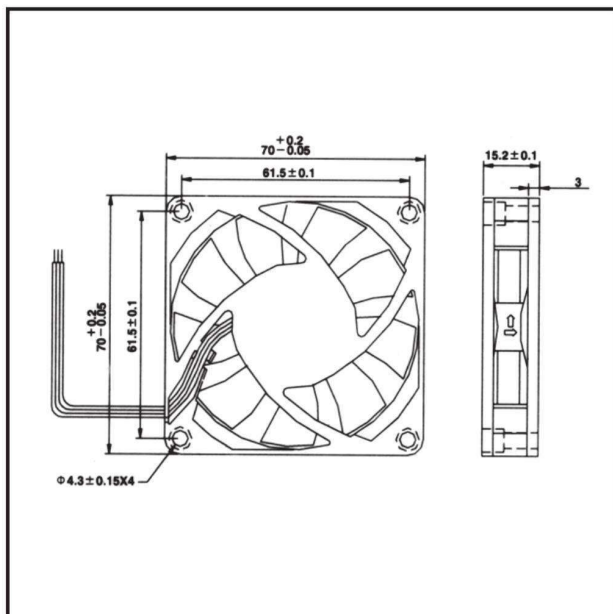
70x70x15mm

### DESIGN FEATURES

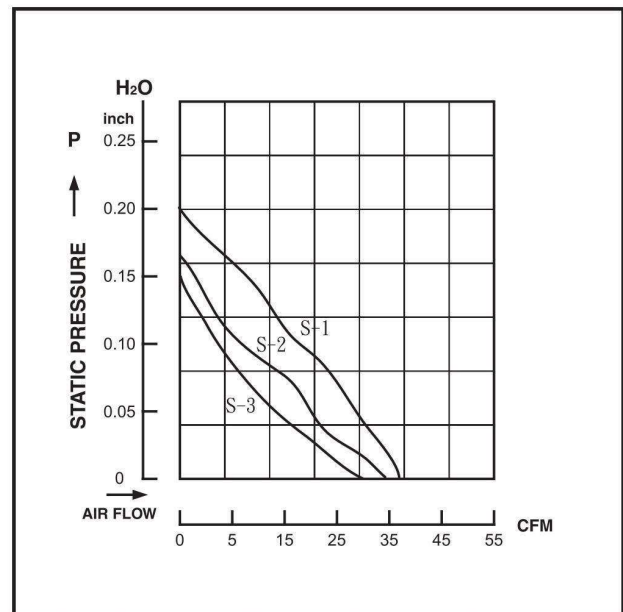
- \*BEARING SYSTEM: BALL BEARING & SLEEVE BEARING
- \*IMPELLER: PLASTIC WITH FIBER GLASS FILLED UL 94V-0
- \*HOUSING: PLASTIC WITH FIBER GLASS FILLED UL 94V-0
- \*MOTOR: BRUSHLESS DC
- \*CONNECTING: WIRE LEADS
- \*SPEED: S-1 HIGH SPEED TYPE
- \*A S-2 MEDIUM SPEED TYPE
- S-3 LOW SPEED TYPE
- \*AVAILABLE FG TYPE FOR SPEED SENSOR SIGNAL
- \*AVAILABLE RD TYPE FOR ROTOR LOCKED ALARM SIGNAL



### DIMENSIONS:MM



### PERFORMANCE



### SPECIFICATIONS

Specifications are subject to change without notice

MODEL NO.	VOLTAGE (VDC)	AIR (CFM)	VOLUME (M <sup>3</sup> /MIN)	CURRENT (A)	POWER (W)	SPEED (RPM)	STATIC PRESSURE (INCH-H <sub>2</sub> O)	NOISE (dBA)
FP-108R/DC (S-1)	12	37	1.05	0.34	4.08	4500	0.20	39
	24	37	1.05	0.27	6.48	4500	0.20	39
FP-108R/DC (S-2)	12	35	0.98	0.28	3.36	4200	0.17	38
	24	35	0.98	0.24	5.76	4200	0.17	38
FP-108R/DC (S-3)	12	31	0.88	0.24	2.88	3800	0.15	34
	24	31	0.88	0.20	4.80	3800	0.15	34

# COMMONWEALTH DC BRUSHLESS FAN

## FP-108F/DC

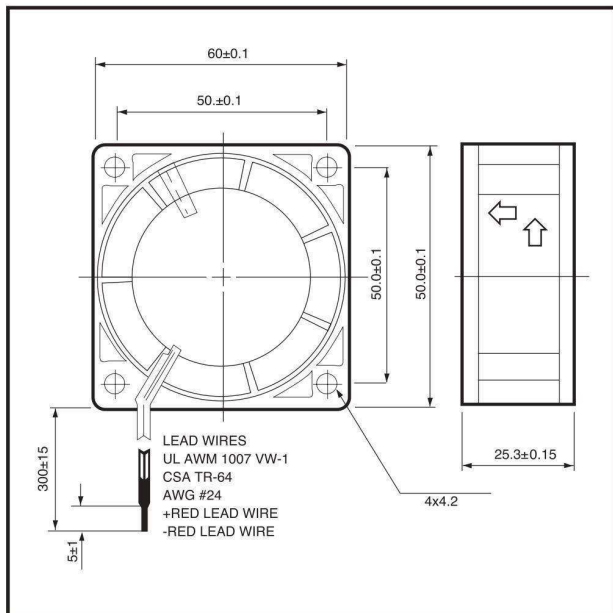
60x60x25.4mm ULTRA

### DESIGN FEATURES

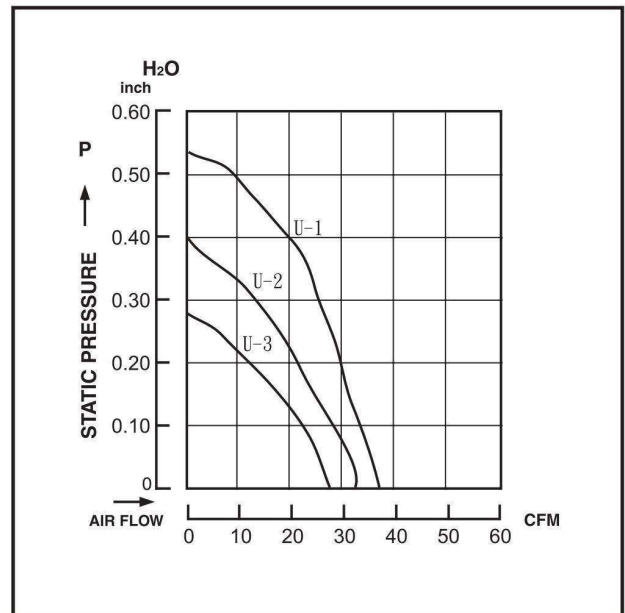
- \*BEARING SYSTEM: BALL BEARING & SLEEVE BEARING
- \*IMPELLER: PLASTIC WITH FIBER GLASS FILLED UL 94-0
- \*HOUSING: PLASTIC WITH FIBER GLASS FILLED UL 94-0
- \*MOTOR: BRUSHLESS DC
- \*CONNECTING: WIRE LEADS
- \*SPEED: U-1 HIGH SPEED TYPE  
U-2 MEDIUM SPEED TYPE  
U-3 LOW SPEED TYPE
- \*AVAILABLE FG TYPE FOR SPEED SENSOR SIGNAL
- \*AVAILABLE RD TYPE FOR ROTOR LOCKED ALARM SIGNAL



### DIMENSIONS:MM



### PERFORMANCE



### SPECIFICATIONS

Specifications are subject to change without notice

MODEL NO.	VOLTAGE (VDC)	AIR (CFM)	VOLUME (M <sup>3</sup> /MIN)	CURRENT (A)	POWER (W)	SPEED (RPM)	STATIC PRESSURE (INCH-H <sub>2</sub> O)	NOISE (dBA)
FP-108F/DC (U-1)	12	38.5	1.10	0.39	4.68	7000	0.53	46
	24	38.5	1.10	0.22	5.28	7000	0.53	46
FP-108F/DC (U-2)	12	33.0	0.93	0.34	4.08	6000	0.40	42
	24	33.0	0.93	0.18	4.32	6000	0.40	42
FP-108F/DC (U-3)	12	28.0	0.80	0.23	2.76	5000	0.29	37
	24	28.0	0.80	0.13	3.12	5000	0.29	37

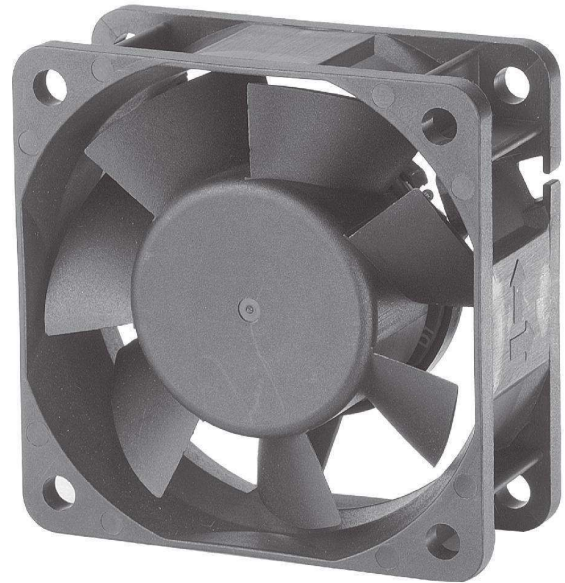
# COMMONWEALTH DC BRUSHLESS FAN

## FP-108F/DC

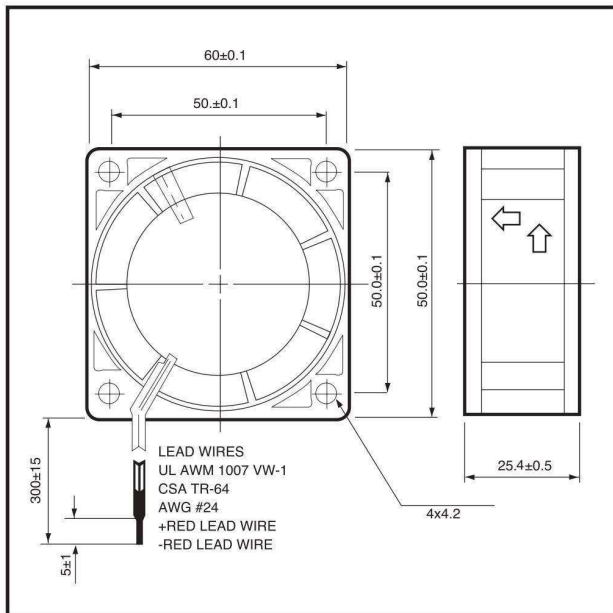
60x60x25.4mm

### DESIGN FEATURES

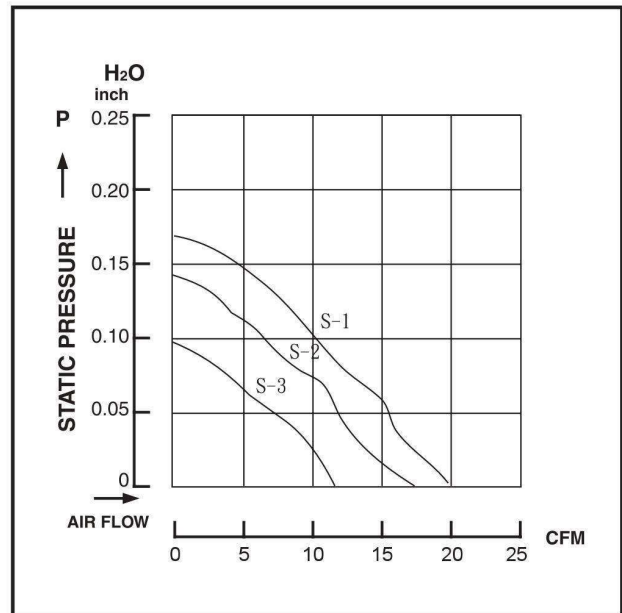
- \*BEARING SYSTEM: SLEEVE BEARING & BALL BEARING
- \*IMPELLER: PLASTIC WITH FIBER GLASS FILLED UL 94V-0
- \*HOUSING: PLASTIC WITH FIBER GLASS FILLED UL 94V-0
- \*MOTOR: BRUSHLESS DC
- \*CONNECTING: WIRE LEADS
- \*SPEED: S-1 HIGH SPEED TYPE  
S-2 MEDIUM SPEED TYPE  
S-3 LOW SPEED TYPE
- \*AVAILABLE FG TYPE FOR SPEED SENSOR SIGNAL
- \*AVAILABLE RD TYPE FOR ROTOR LOCKED ALARM SIGNAL



### DIMENSIONS:MM



### PERFORMANCE



### SPECIFICATIONS

Specifications are subject to change without notice

MODEL NO.	VOLTAGE (VDC)	AIR (CFM)	VOLUME (M <sup>3</sup> /MIN)	CURRENT (A)	POWER (W)	SPEED (RPM)	STATIC PRESSURE (INCH-H <sub>2</sub> O)	NOISE (dBA)
FP-108F/DC	5	20.0	0.57	0.33	1.65	4000	0.17	30
(S-1)	12	20.0	0.57	0.13	1.56	4000	0.17	30
	24	20.0	0.57	0.12	2.88	4000	0.17	30
FP-108F/DC	12	15.5	0.44	0.11	1.32	3200	0.14	25
(S-2)	24	15.5	0.44	0.10	2.40	3200	0.14	25
FP-108F/DC	12	12.7	0.36	0.09	1.08	2900	0.10	22
(S-3)	24	12.7	0.36	0.08	1.92	2900	0.10	22



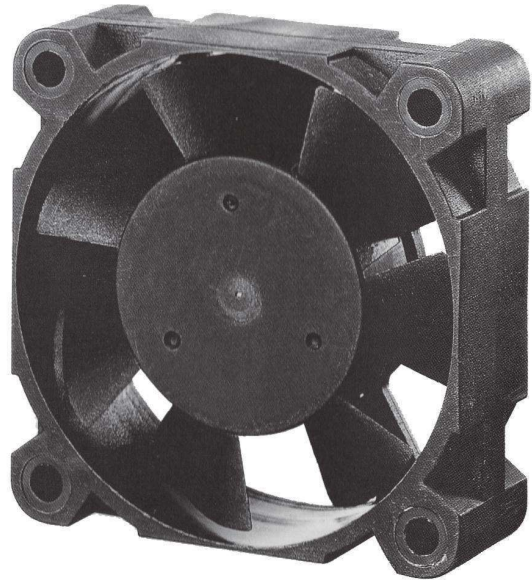
# COMMONWEALTH DC BRUSHLESS FAN

## FP-108FX/DC

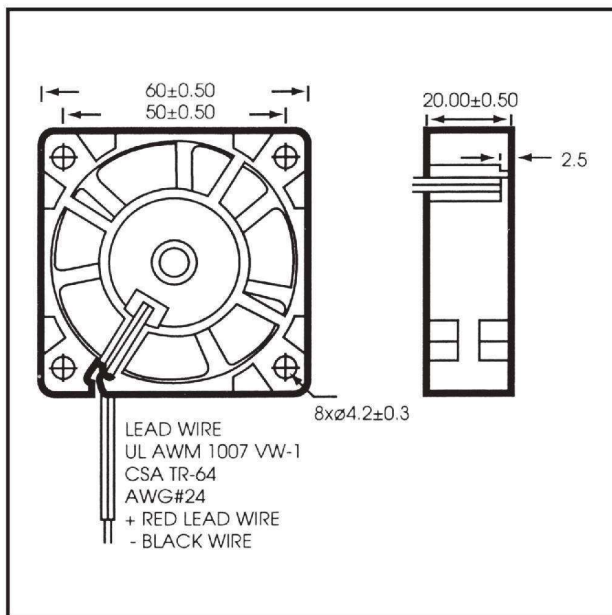
60x60x20mm

### DESIGN FEATURES

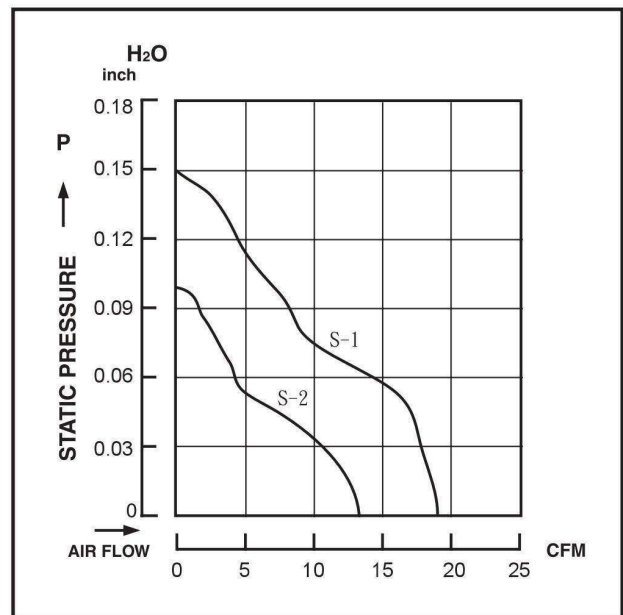
- \*BEARING SYSTEM: SLEEVE BEARING & BALL BEARING
- \*IMPELLER: PLASTIC WITH FIBER GLASS FILLED UL 94V-0
- \*HOUSING: PLASTIC WITH FIBER GLASS FILLED UL 94V-0
- \*MOTOR: BRUSHLESS DC
- \*CONNECTING: WIRE LEADS
- \*SPEED: S-1 HIGH SPEED TYPE  
S-2 MEDIUM SPEED TYPE
- \*AVAILABLE FG TYPE FOR SPEED SENSOR SIGNAL



### DIMENSIONS:MM



### PERFORMANCE



### SPECIFICATIONS

Specifications are subject to change without notice

MODEL NO.	VOLTAGE (VDC)	AIR (CFM)	VOLUME (M <sup>3</sup> /MIN)	CURRENT (A)	POWER (W)	SPEED (RPM)	STATIC PRESSURE (INCH-H <sub>2</sub> O)	NOISE (dBA)
FP-108FX/DC	12	18	0.50	0.15	1.80	4300	0.15	30
(S-1)	24	18	0.50	0.10	2.40	4300	0.15	30
FP-108FX/DC	12	13	0.37	0.13	1.56	3500	0.10	27
(S-2)	24	13	0.37	0.08	1.92	3500	0.10	27

# COMMONWEALTH DC BRUSHLESS FAN



## FP-108FI/DC

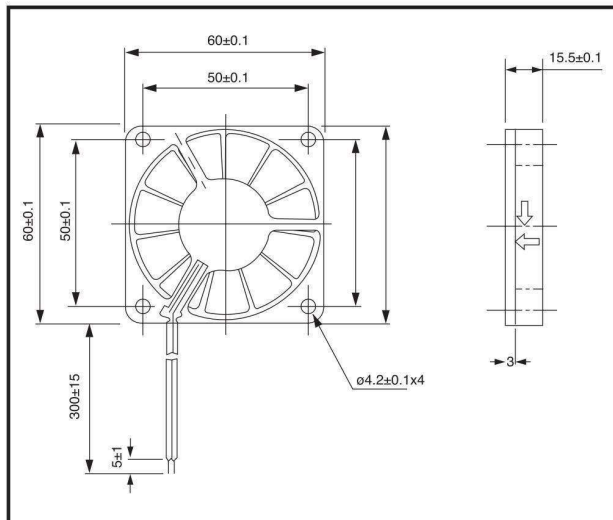
60x60x15mm

### DESIGN FEATURES

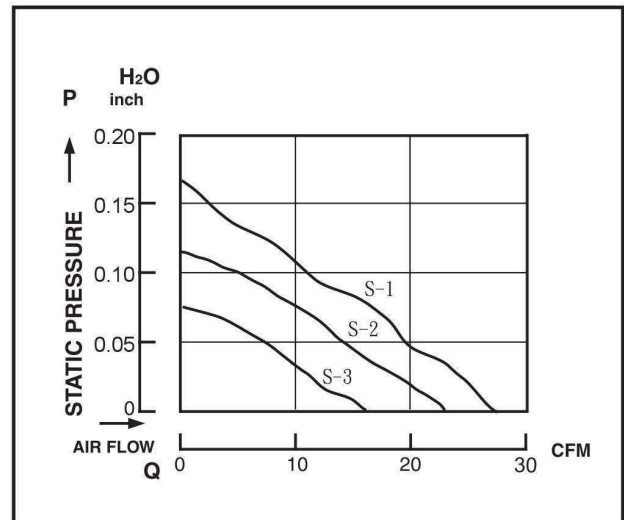
- \*BEARING SYSTEM: SLEEVE BEARING & BALL BEARING
- \*IMPELLER: PLASTIC WITH FIBER GLASS FILLED UL 94V-0
- \*HOUSING: PLASTIC WITH FIBER GLASS FILLED UL 94V-0
- \*MOTOR: BRUSHLESS DC
- \*CONNECTING: WIRE LEADS
- \*SPEED: S-1 HIGH SPEED TYPE  
S-2 MEDIUM SPEED TYPE  
S-3 LOW SPEED TYPE
- \*AVAILABLE FG TYPE FOR SPEED SENSOR SIGNAL



### DIMENSIONS:MM



### PERFORMANCE



### SPECIFICATIONS

Specifications are subject to change without notice

MODEL NO.	VOLTAGE (VDC)	AIR (CFM)	VOLUME (M <sup>3</sup> /MIN)	CURRENT (A)	POWER (W)	SPEED (RPM)	STATIC PRESSURE (INCH-H <sub>2</sub> O)	NOISE (dBA)
FP-108FI/DC(S-1)	5	27.20	0.77	0.64	3.20	4600	0.16	40
	12	27.20	0.77	0.26	3.12	4600	0.16	40
	24	27.20	0.77	0.18	4.32	4600	0.16	40
FP-108FI/DC(S-2)	5	22.50	0.64	0.36	1.80	3800	0.11	36
	12	22.50	0.64	0.21	2.52	3800	0.11	36
	24	22.50	0.64	0.10	2.40	3800	0.11	36
FP-108FI/DC(S-3)	5	17.80	0.50	0.20	1.00	3000	0.07	31
	12	17.80	0.50	0.11	1.32	3000	0.07	31
	24	17.80	0.50	0.07	1.68	3000	0.07	31

# COMMONWEALTH DC BRUSHLESS FAN

## FP-108FT/DC

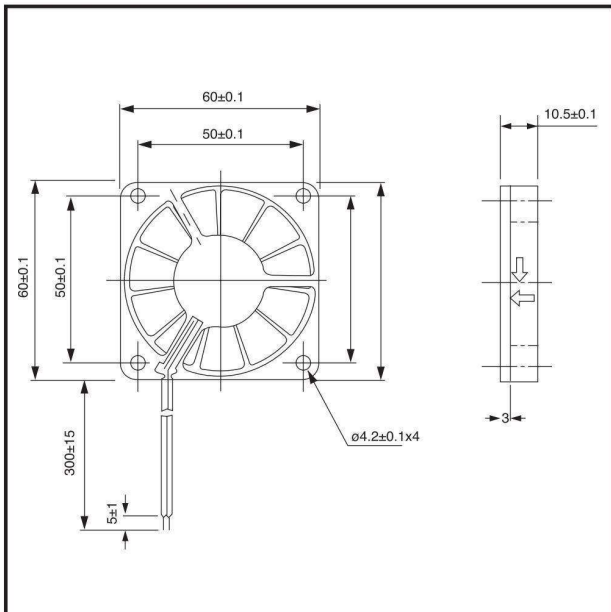
60x60x10mm



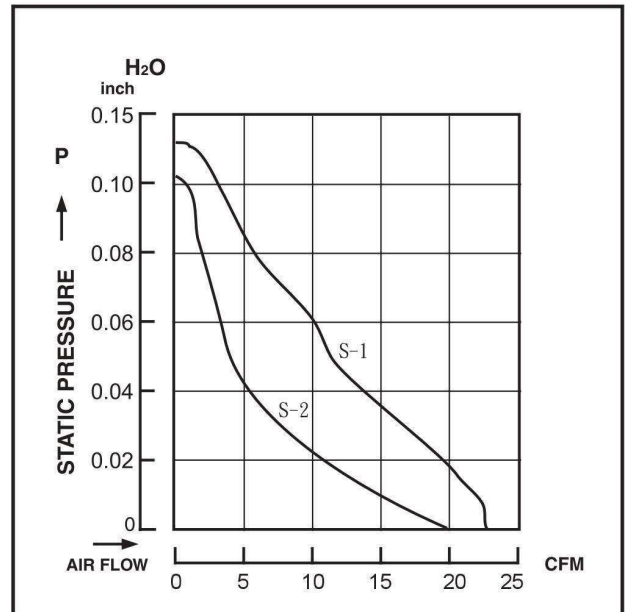
### DESIGN FEATURES

- \*BEARING SYSTEM: BALL BEARING & SLEEVE BEARING
- \*IMPELLER: PLASTIC WITH FIBER GLASS FILLED UL 94V-0
- \*HOUSING: PLASTIC WITH FIBER GLASS FILLED UL 94V-0
- \*MOTOR: BRUSHLESS DC
- \*CONNECTING: WIRE LEADS
- \*SPEED: S-1 HIGH SPEED TYPE  
S-2 MEDIUM SPEED TYPE
- \*AVAILABLE FG TYPE FOR SPEED SENSOR SIGNAL
- \*AVAILABLE RD TYPE FOR ROTOR LOCKED ALARM SIGNAL

### DIMENSIONS:MM



### PERFORMANCE



### SPECIFICATIONS

Specifications are subject to change without notice

MODEL NO.	VOLTAGE (VDC)	AIR (CFM)	VOLUME (M <sup>3</sup> /MIN)	CURRENT (A)	POWER (W)	SPEED (RPM)	STATIC PRESSURE (INCH-H <sub>2</sub> O)	NOISE (dBA)
FP-108FT/DC (S-1)	12	23.50	0.66	0.21	2.52	4700	0.13	35
FP-108FT/DC (S-2)	12	20.00	0.60	0.16	1.92	4200	0.112	31



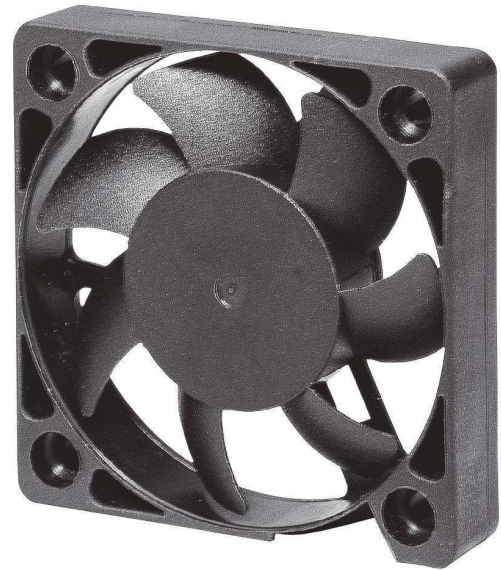
# COMMONWEALTH DC BRUSHLESS FAN

## FP-108J/DC

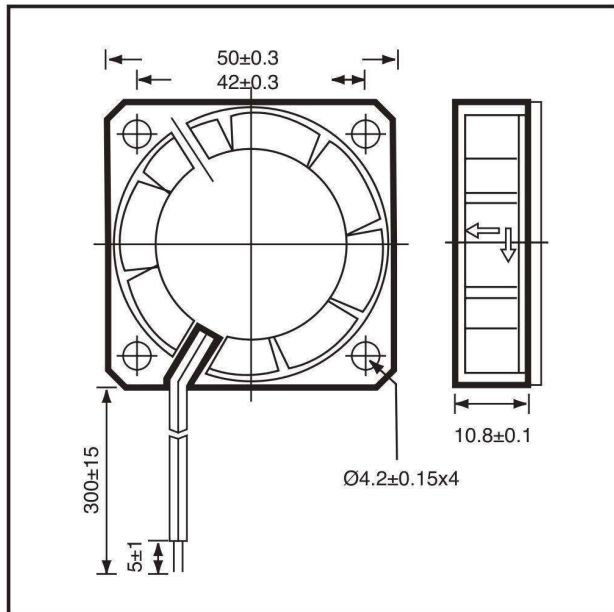
50x50x10mm

### DESIGN FEATURES

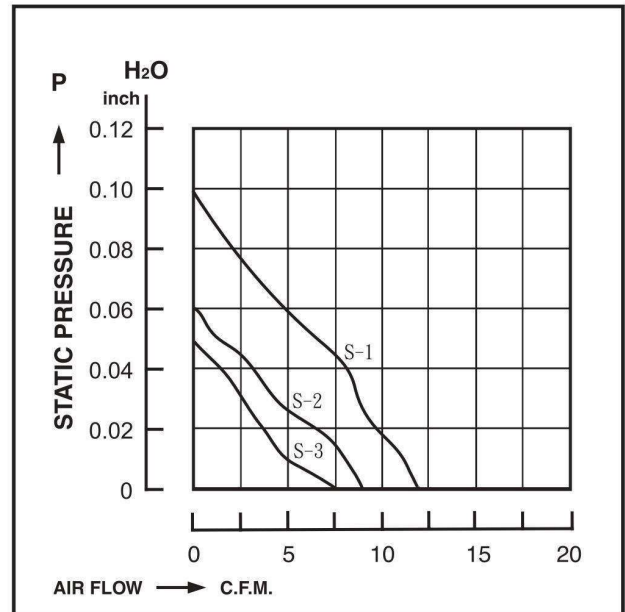
- \*BEARING SYSTEM: SLEEVE BEARING & BALL BEARING
- \*IMPELLER: PLASTIC WITH FIBER GLASS FILLED UL 94V-0
- \*HOUSING: PLASTIC WITH FIBER GLASS FILLED UL 94V-0
- \*MOTOR: BRUSHLESS DC
- \*CONNECTING: WIRE LEADS
- \*SPEED: S-1 HIGH SPEED TYPE  
S-2 MEDIUM SPEED TYPE  
S-3 LOW SPEED TYPE
- \*AVAILABLE FG TYPE FOR SPEED SENSOR SIGNAL
- \*AVAILABLE RD TYPE FOR ROTOR LOCKED ALARM SIGNAL



### DIMENSIONS:MM



### PERFORMANCE



### SPECIFICATIONS

Specifications are subject to change without notice

MODEL NO.	VOLTAGE (VDC)	AIR (CFM)	VOLUME (M <sup>3</sup> /MIN)	CURRENT (A)	POWER (W)	SPEED (RPM)	STATIC PRESSURE (INCH-H <sub>2</sub> O)	NOISE (dBA)
FP-108J/DC	12	12.30	0.35	0.16	1.92	5500	0.10	32
(S-1)	24	12.30	0.35	0.09	2.16	5500	0.10	32
FP-108J/DC	12	8.80	0.25	0.10	1.20	4000	0.06	28
(S-2)								
FP-108J/DC	12	7.50	0.21	0.07	0.84	3500	0.05	20
(S-3)								

# COMMONWEALTH DC BRUSHLESS FAN

## FP-108J/DC-A

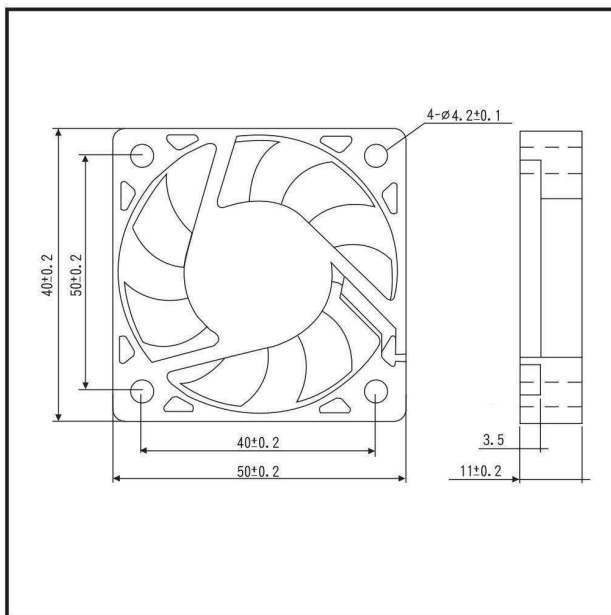
50x50x10mm

### DESIGN FEATURES

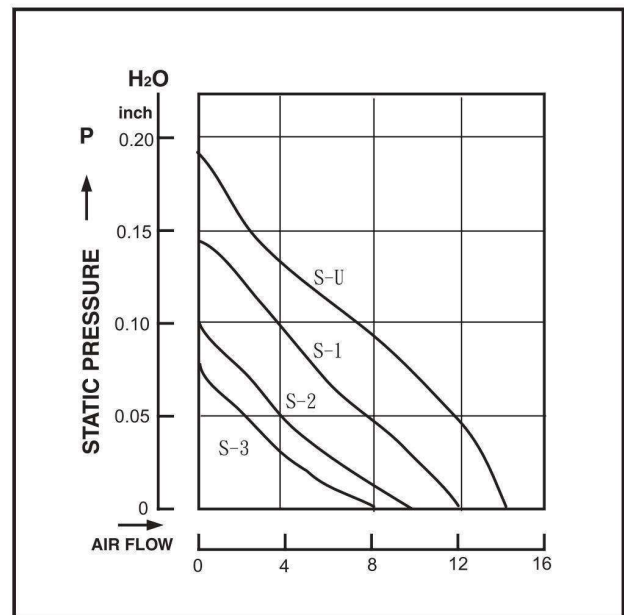
- \*BEARING SYSTEM: SLEEVE BEARING & BALL BEARING
- \*IMPELLER: PLASTIC WITH FIBER GLASS FILLED UL 94V-0
- \*HOUSING: PLASTIC WITH FIBER GLASS FILLED UL 94V-0
- \*MOTOR: BRUSHLESS DC
- \*CONNECTING: WIRE LEADS
- \*SPEED: S-U ULTRA TYPE
  - S-1 HIGH SPEED TYPE
  - S-2 MEDIUM SPEED TYPE
  - S-2 LOW SPEED TYPE
- \*AVAILABLE FG TYPE FOR SPEED SENSOR SIGNAL



### DIMENSIONS:MM



### PERFORMANCE



### SPECIFICATIONS

Specifications are subject to change without notice

MODEL NO.	VOLTAGE (VDC)	AIR (CFM)	VOLUME (M <sup>3</sup> /MIN)	CURRENT (A)	POWER (W)	SPEED (RPM)	STATIC PRESSURE (INCH-H <sub>2</sub> O)	NOISE (dBA)
FP-108J/DC-A (S-U)	12	14.30	0.40	0.21	2.52	5800	0.19	33
FP-108J/DC-A (S-1)	5	12.30	0.35	0.30	1.50	5000	0.14	32
	12	12.30	0.35	0.14	1.68	5000	0.14	32
	24	12.30	0.35	0.12	2.88	5000	0.14	32
FP-108J/DC-A (S-2)	5	10.40	0.30	0.24	1.20	4200	0.10	26
	12	10.40	0.30	0.11	1.32	4200	0.10	26
	24	10.40	0.30	0.10	2.40	4200	0.10	26
FP-108J/DC-A (S-3)	5	8.40	0.24	0.18	0.90	3400	0.07	23
	12	8.40	0.24	0.08	0.96	3400	0.07	23
	24	8.40	0.24	0.08	1.92	3400	0.07	23

# COMMONWEALTH DC BRUSHLESS FAN

## FP-108JT/DC

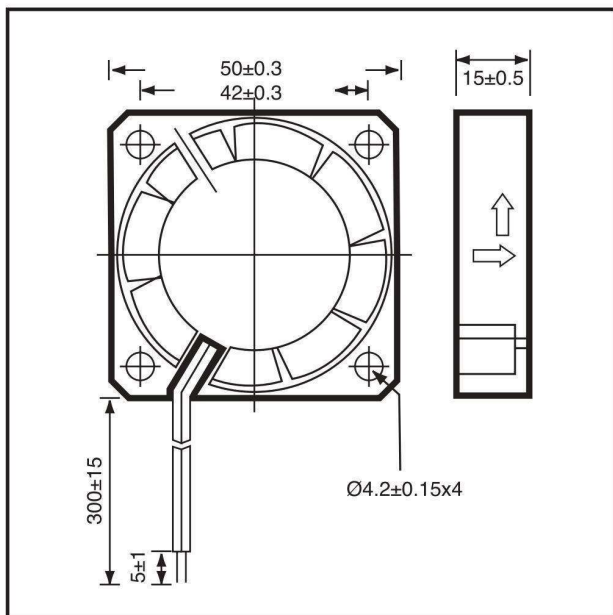
50x50x15mm



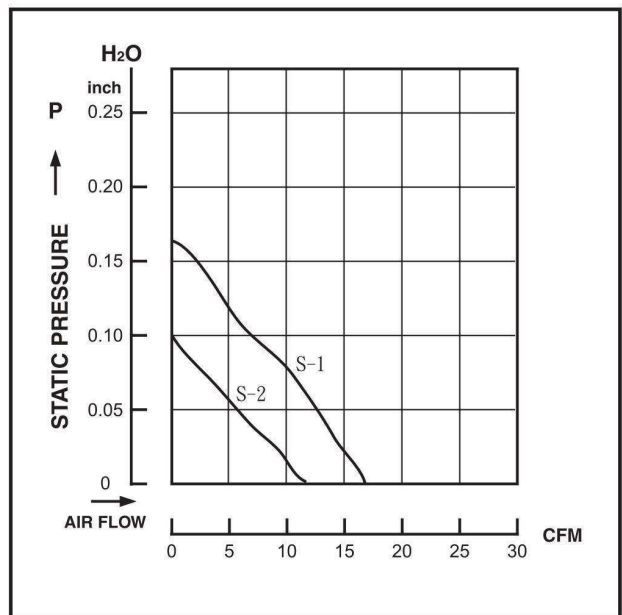
### DESIGN FEATURES

- \*BEARING SYSTEM: SLEEVE BEARING & BALL BEARING
- \*IMPELLER: PLASTIC WITH FIBER GLASS FILLED UL 94V-0
- \*HOUSING: PLASTIC WITH FIBER GLASS FILLED UL 94V-0
- \*MOTOR: BRUSHLESS DC
- \*CONNECTING: WIRE LEADS
- \*SPEED: S-1 HIGH SPEED TYPE  
S-2 MEDIUM SPEED TYPE
- \*AVAILABLE FG TYPE FOR SPEED SENSOR SIGNAL

### DIMENSIONS:MM



### PERFORMANCE



### SPECIFICATIONS

Specifications are subject to change without notice

MODEL NO.	VOLTAGE (VDC)	AIR (CFM)	VOLUME (M <sup>3</sup> /MIN)	CURRENT (A)	POWER (W)	SPEED (RPM)	STATIC PRESSURE (INCH-H <sub>2</sub> O)	NOISE (dBA)
FP-108JT/DC(S-1)	12	16.60	0.70	0.19	2.28	5500	0.17	33
FP-108JT/DC(S-2)	12	12.70	0.36	0.15	1.80	4500	0.10	28



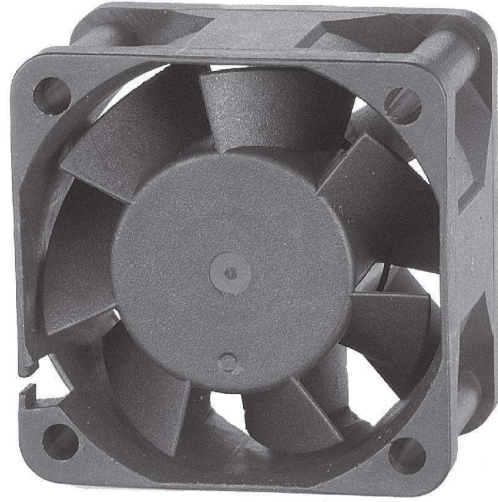
# COMMONWEALTH DC BRUSHLESS FAN

## FP-108GT/DC

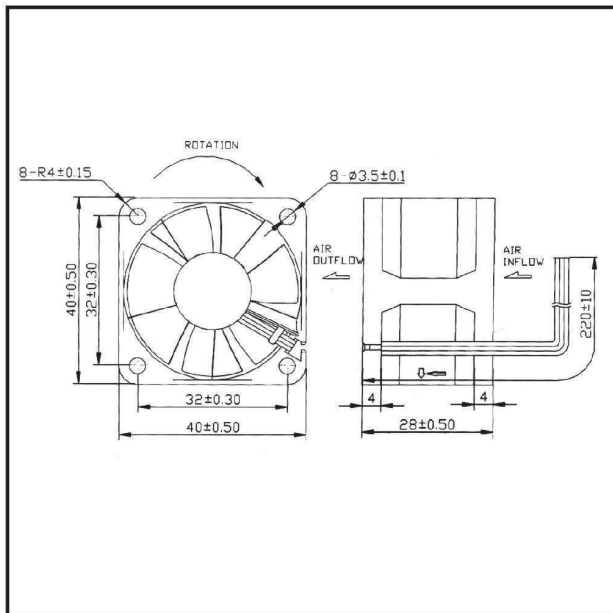
40x40x28mm

### DESIGN FEATURES

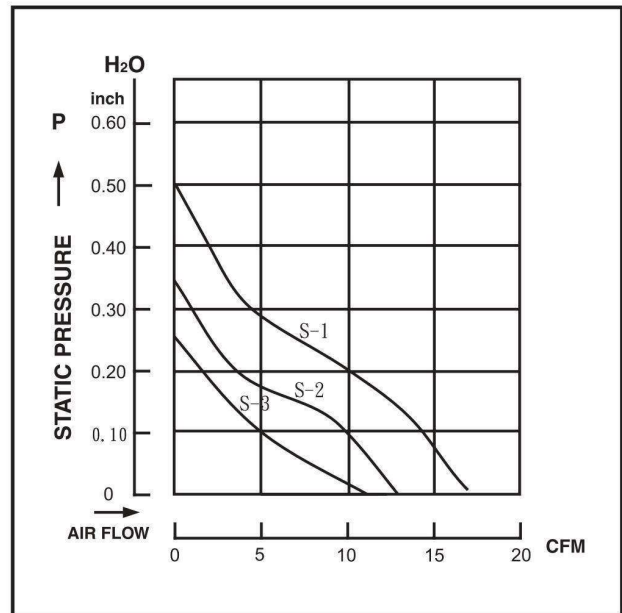
- \*BEARING SYSTEM: BALL BEARING & SLEEVE BEARING
- \*IMPELLER: PLASTIC WITH FIBER GLASS FILLED UL 94V-0
- \*HOUSING: PLASTIC WITH FIBER GLASS FILLED UL 94V-0
- \*MOTOR: BRUSHLESS DC
- \*CONNECTING: WIRE LEADS
- \*SPEED: S-1 HIGH SPEED TYPE  
S-2 MEDIUM SPEED TYPE  
S-3 LOW SPEED TYPE
- \*AVAILABLE FG TYPE FOR SPEED SENSOR SIGNAL



### DIMENSIONS:MM



### PERFORMANCE



### SPECIFICATIONS

Specifications are subject to change without notice

MODEL NO.	VOLTAGE (VDC)	AIR (CFM)	VOLUME (M <sup>3</sup> /MIN)	CURRENT (A)	POWER (W)	SPEED (RPM)	STATIC PRESSURE (INCH-H <sub>2</sub> O)	NOISE (dBA)
FP-108GT/DC (S-1)	12	15.50	0.44	0.28	3.36	10000	0.50	43
	24	15.50	0.44	0.18	4.32	10000	0.50	43
FP-108GT/DC (S-2)	12	12.50	0.35	0.14	1.68	8000	0.32	38
	24	12.50	0.35	0.10	2.40	8000	0.32	38
FP-108GT/DC (S-3)	12	11.00	0.31	0.10	1.20	7000	0.25	35
	24	11.00	0.31	0.08	1.92	7000	0.25	35

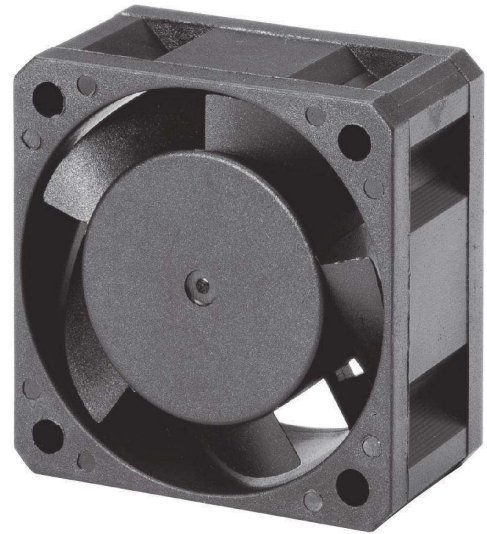
# COMMONWEALTH DC BRUSHLESS FAN

## FP-108G/DC

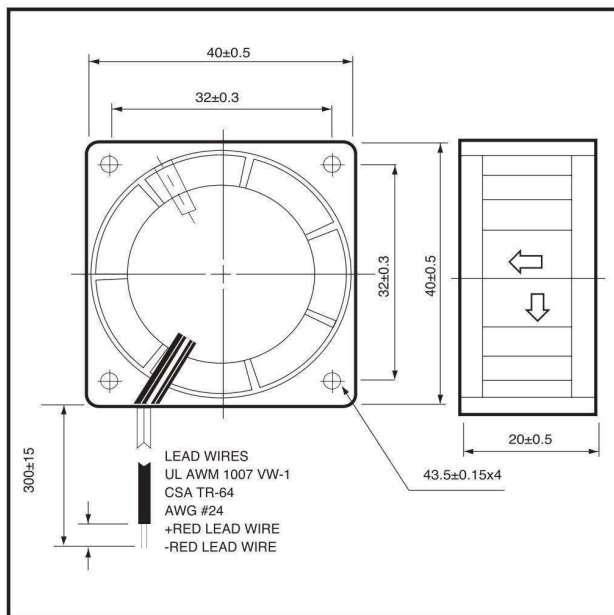
40x40x20mm

### DESIGN FEATURES

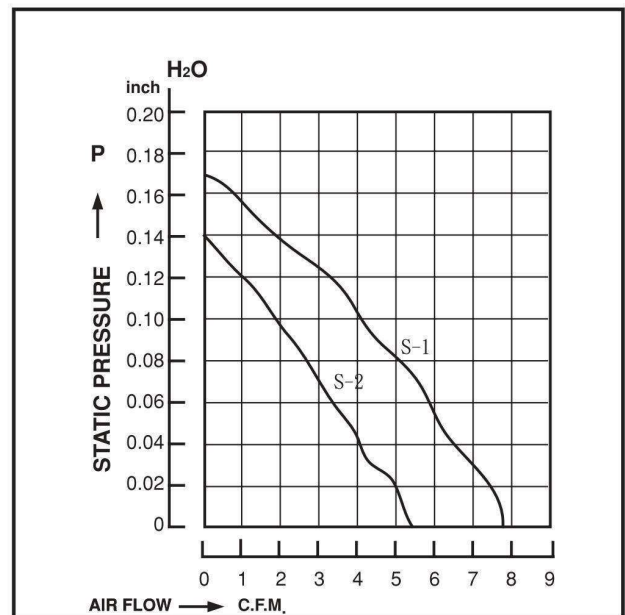
- \*BEARING SYSTEM: SLEEVE BEARING & BALL BEARING
- \*IMPELLER: PLASTIC WITH FIBER GLASS FILLED UL 94V-0
- \*HOUSING: PLASTIC WITH FIBER GLASS FILLED UL 94V-0
- \*MOTOR: BRUSHLESS DC
- \*CONNECTING: WIRE LEADS
- \*SPEED: S-1 HIGH SPEED TYPE  
S-2 MEDIUM SPEED TYPE
- \*AVAILABLE FG TYPE FOR SPEED SENSOR SIGNAL



### DIMENSIONS:MM



### PERFORMANCE



### SPECIFICATIONS

Specifications are subject to change without notice

MODEL NO.	VOLTAGE (VDC)	AIR (CFM)	VOLUME (M <sup>3</sup> /MIN)	CURRENT (A)	POWER (W)	SPEED (RPM)	STATIC PRESSURE (INCH-H <sub>2</sub> O)	NOISE (dBA)
FP-108G/DC (S-1)	5	7.80	0.22	0.25	1.25	7000	0.17	31
	12	7.80	0.22	0.10	1.20	7000	0.17	31
	24	7.80	0.22	0.09	2.16	7000	0.17	31
FP-108G/DC (S-2)	5	5.40	0.15	0.12	0.60	5000	0.14	23
	12	5.40	0.15	0.09	1.08	5000	0.14	23
	24	5.40	0.15	0.07	1.68	5000	0.14	23

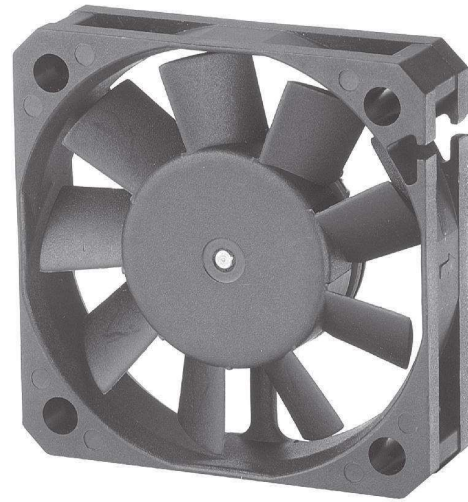
# COMMONWEALTH DC BRUSHLESS FAN

## FP-108HX/DC

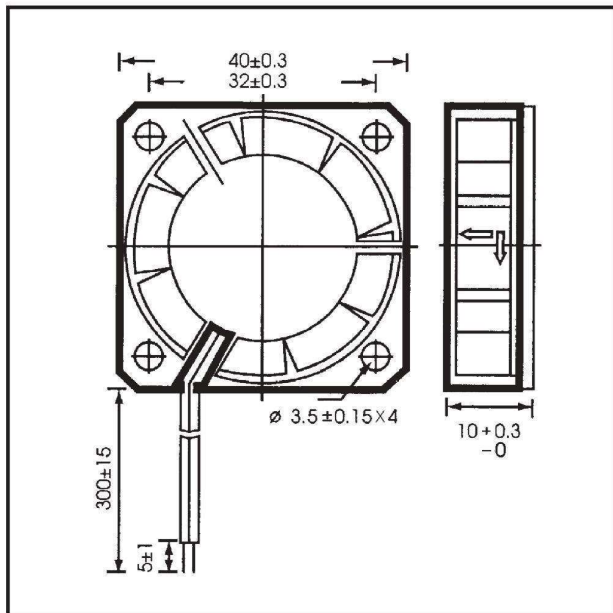
40x40x10mm

### DESIGN FEATURES

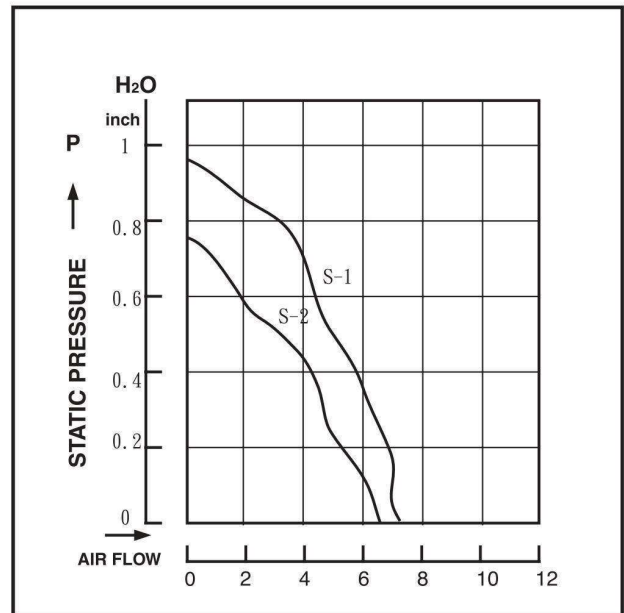
- \*BEARING SYSTEM: BALL BEARING & SLEEVE BEARING
- \*IMPELLER: PLASTIC WITH FIBER GLASS FILLED UL 94V-0
- \*HOUSING: PLASTIC WITH FIBER GLASS FILLED UL 94V-0
- \*MOTOR: BRUSHLESS DC
- \*CONNECTING: WIRE LEADS
- \*SPEED: S-1 HIGH SPEED TYPE  
S-2 MEDIUM SPEED TYPE
- \*AVAILABLE FG TYPE FOR SPEED SENSOR SINGAL



### DIMENSIONS:MM



### PERFORMANCE



### SPECIFICATIONS

Specifications are subject to change without notice

MODEL NO.	VOLTAGE (VDC)	AIR (CFM)	VOLUME (M <sup>3</sup> /MIN)	CURRENT (A)	POWER (W)	SPEED (RPM)	STATIC PRESSURE (INCH-H <sub>2</sub> O)	NOISE (dBA)
FP-108HX/DC	5	7.70	0.22	0.23	1.15	6500	0.95	28
(S-1)	12	7.70	0.22	0.13	1.56	6500	0.95	28
FP-108HX/DC	5	6.50	0.18	0.18	0.90	5000	0.74	24
(S-2)	12	6.50	0.18	0.09	1.08	5000	0.74	24



# COMMONWEALTH DC BRUSHLESS FAN

## FP-108HX/DC-A

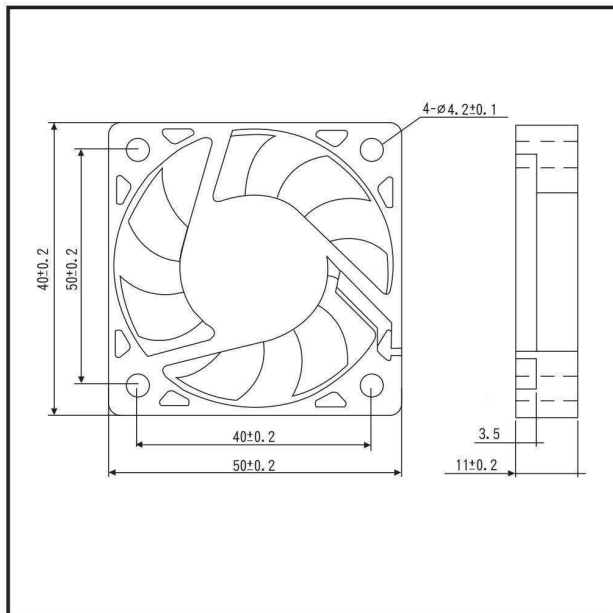
40x40x10mm

### DESIGN FEATURES

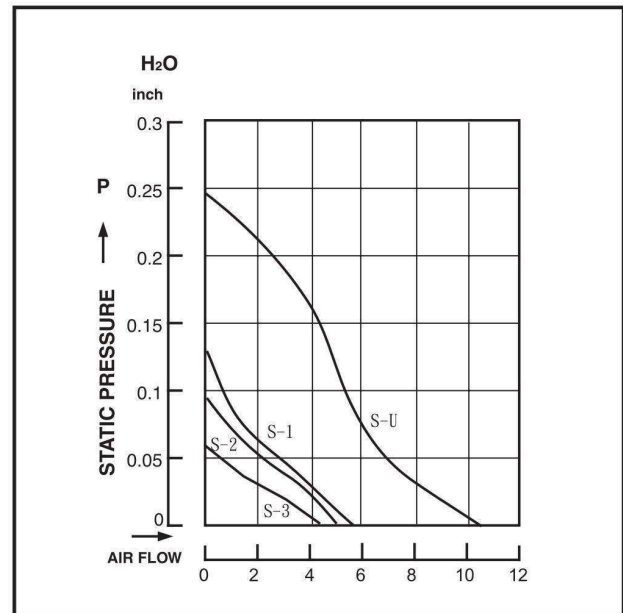
- \*BEARING SYSTEM: SLEEVE BEARING & BALL BEARING
- \*IMPELLER: PLASTIC WITH FIBER GLASS FILLED UL 94V-0
- \*HOUSING: PLASTIC WITH FIBER GLASS FILLED UL 94V-0
- \*MOTOR: BRUSHLESS DC
- \*CONNECTING: WIRE LEADS
- \*SPEED: S-U ULTRA TYPE
  - S-1 HIGH SPEED TYPE
  - S-2 MEDIUM SPEED TYPE
  - S-3 LOW SPEED TYPE
- \*AVAILABLE FG TYPE FOR SPEED SENSOR SIGNAL



### DIMENSIONS:MM



### PERFORMANCE



### SPECIFICATIONS

Specifications are subject to change without notice

MODEL NO.	VOLTAGE (VDC)	AIR (CFM)	VOLUME (M <sup>3</sup> /MIN)	CURRENT (A)	POWER (W)	SPEED (RPM)	STATIC PRESSURE (INCH-H <sub>2</sub> O)	NOISE (dBA)
FP-108HX/DC-A (S-U)	12	10.66	0.302	0.22	2.64	9000	0.248	39.8
FP-108HX/DC-A (S-1)	5	5.93	0.168	0.26	1.30	6000	0.12	29
	12	5.93	0.168	0.11	1.32	6000	0.12	29
	24	5.93	0.168	0.10	2.40	6000	0.12	29
FP-108HX/DC-A (S-2)	5	5.43	0.154	0.22	1.10	5000	0.09	27
	12	5.43	0.154	0.09	1.08	5000	0.09	27
	24	5.43	0.154	0.09	2.16	5000	0.09	27
FP-108HX/DC-A (S-3)	5	4.41	0.125	0.18	0.90	4000	0.06	23
	12	4.41	0.125	0.07	0.84	4000	0.06	23
	24	4.41	0.125	0.08	1.92	4000	0.06	23

# COMMONWEALTH DC BRUSHLESS FAN

## FP-108HI/DC

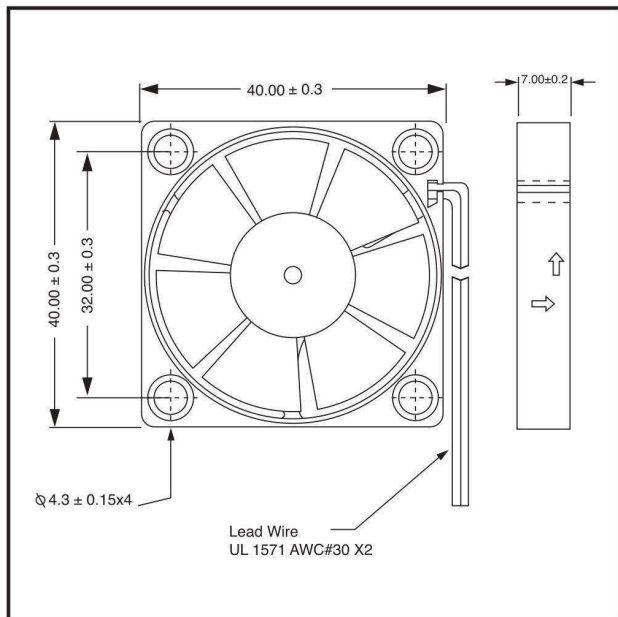
40x40x7mm

### DESIGN FEATURES

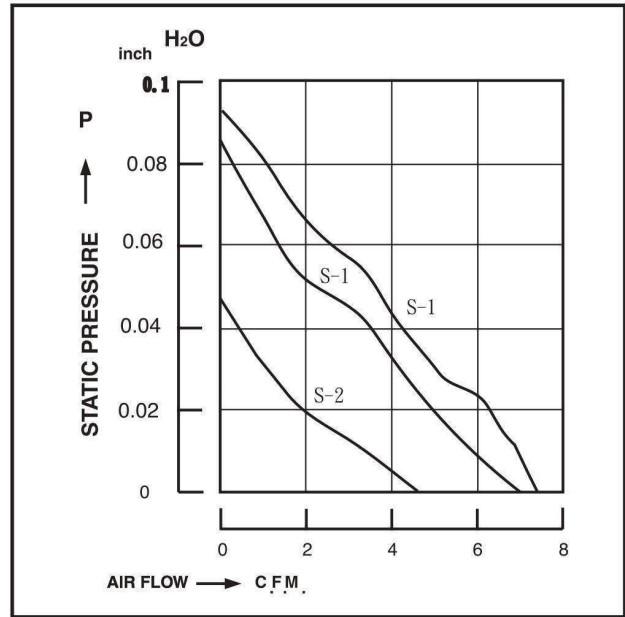
- \*BEARING SYSTEM: BALL BEARING & SLEEVE BEARING
- \*IMPELLER: PLASTIC WITH FIBER GLASS FILLED UL 94V-0
- \*HOUSING: PLASTIC WITH FIBER GLASS FILLED UL 94V-0
- \*MOTOR: BRUSHLESS DC
- \*CONNECTING: WIRE LEADS
- \*SPEED: S-1 HIGH SPEED TYPE  
S-2 MEDIUM SPEED TYPE
- \*AVAILABLE FG TYPE FOR SPEED SENSOR SIGNAL



### DIMENSIONS:MM



### PERFORMANCE



### SPECIFICATIONS

Specifications are subject to change without notice

MODEL NO.	VOLTAGE (VDC)	AIR (CFM)	VOLUME (M <sup>3</sup> /MIN)	CURRENT (A)	POWER (W)	SPEED (RPM)	STATIC PRESSURE (INCH-H <sub>2</sub> O)	NOISE (dBA)
FP-108HI/DC (S-1)	5	6.70	0.17	0.15	0.75	6500	0.084	28
FP-108HI/DC (S-1)	12	6.91	0.18	0.15	1.80	7500	0.087	29
FP-108HI/DC (S-2)	5	4.16	0.12	0.12	0.60	5500	0.045	22

# COMMONWEALTH DC BRUSHLESS FAN



## FP-108S/DC

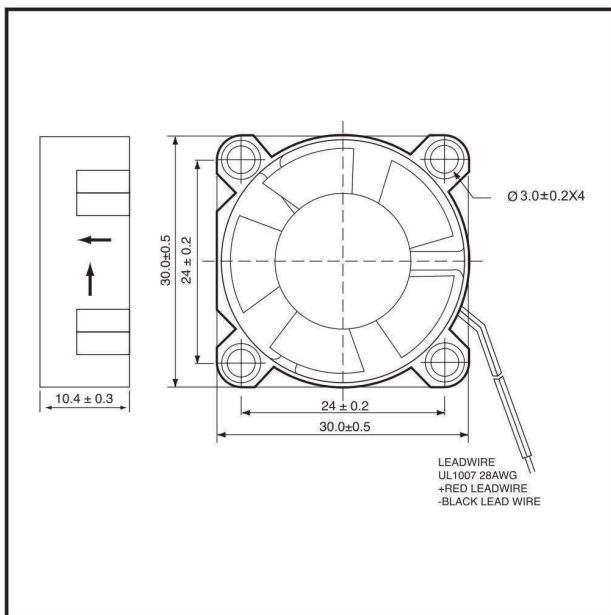
30x30x10mm

### DESIGN FEATURES

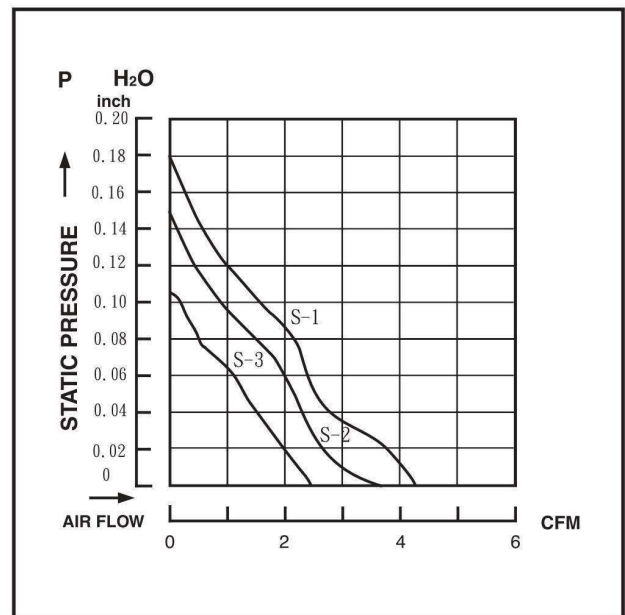
- \*BEARING SYSTEM: SLEEVE BEARING & BALL BEARING
- \*IMPELLER: PLASTIC WITH FIBER GLASS FILLED UL 94V-0
- \*HOUSING: PLASTIC WITH FIBER GLASS FILLED UL 94V-0
- \*MOTOR: BRUSHLESS DC
- \*CONNECTING: WIRE LEADS
- \*SPEED: S-1 HIGH SPEED TYPE  
S-2 MEDIUM SPEED TYPE  
S-3 LOW SPEED TYPE
- \*AVAILABLE FG TYPE FOR SPEED SENSOR SIGNAL



### DIMENSIONS:MM



### PERFORMANCE



### SPECIFICATIONS

Specifications are subject to change without notice

MODEL NO.	VOLTAGE (VDC)	AIR (CFM)	VOLUME (M <sup>3</sup> /MIN)	CURRENT (A)	POWER (W)	SPEED (RPM)	STATIC PRESSURE (INCH-H <sub>2</sub> O)	NOISE (dBA)
FP-108S/DC (S-1)	5	4.23	0.12	0.21	1.05	9500	0.18	28
	12	4.23	0.12	0.12	1.44	9500	0.18	28
FP-108S/DC (S-2)	5	3.56	0.10	0.18	0.90	8000	0.15	23
	12	3.56	0.10	0.11	1.32	8000	0.15	23
FP-108S/DC (S-3)	5	2.45	0.07	0.09	0.45	5500	0.10	20
	12	2.45	0.07	0.06	0.72	5500	0.10	20



# COMMONWEALTH DC BRUSHLESS FAN

## FP-108P/DC

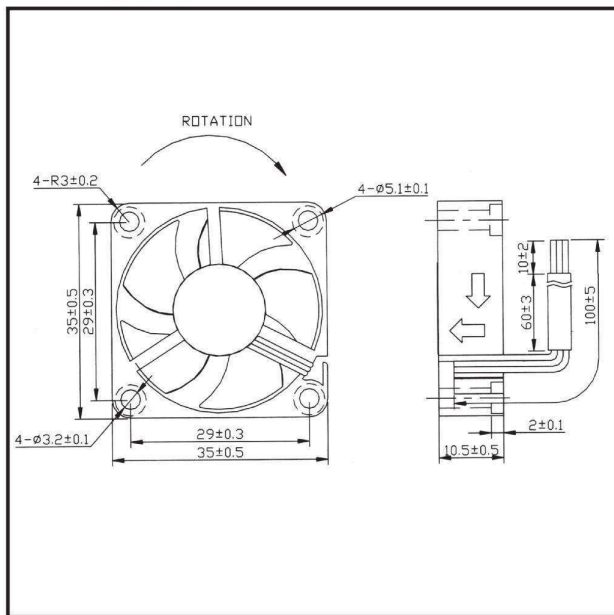
35x35x10mm

### DESIGN FEATURES

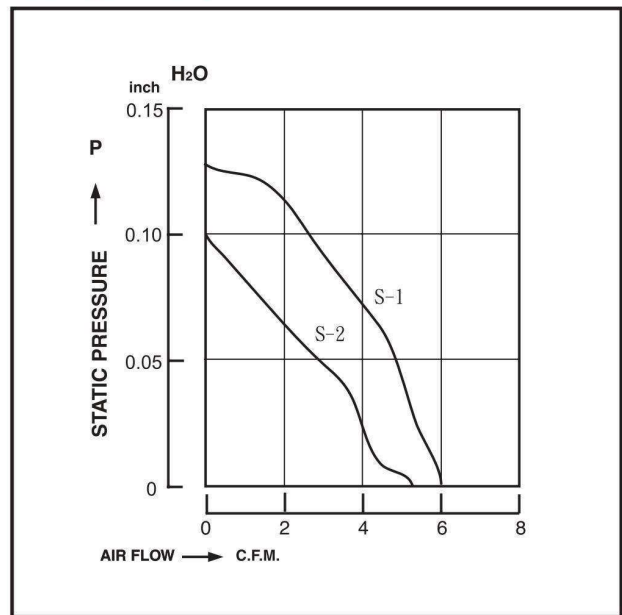
- \*BEARING SYSTEM: SLEEVE BEARING & BALL BEARING
- \*IMPELLER: PLASTIC WITH FIBER GLASS FILLED UL 94V-0
- \*HOUSING: PLASTIC WITH FIBER GLASS FILLED UL 94V-0
- \*MOTOR: BRUSHLESS DC
- \*CONNECTING: WIRE LEADS
- \*SPEED: S-1 HIGH SPEED TYPE  
S-2 MEDIUM SPEED TYPE
- \*AVAILABLE FG TYPE FOR SPEED SENSOR SIGNAL



### DIMENSIONS:MM



### PERFORMANCE



### SPECIFICATIONS

Specifications are subject to change without notice

MODEL NO.	VOLTAGE (VDC)	AIR (CFM)	VOLUME (M <sup>3</sup> /MIN)	CURRENT (A)	POWER (W)	SPEED (RPM)	STATIC PRESSURE (INCH-H <sub>2</sub> O)	NOISE (dBA)
FP-108P/DC (S-1)	5	6	0.16	0.17	0.85	8000	0.13	30
	12	6	0.16	0.09	1.08	8000	0.13	30
FP-108P/DC (S-2)	5	5.10	0.14	0.12	0.6	7000	0.10	27.5
	12	5.10	0.14	0.08	0.96	7000	0.10	27.5

# COMMONWEALTH DC BRUSHLESS FAN

## FP-108ST/DC

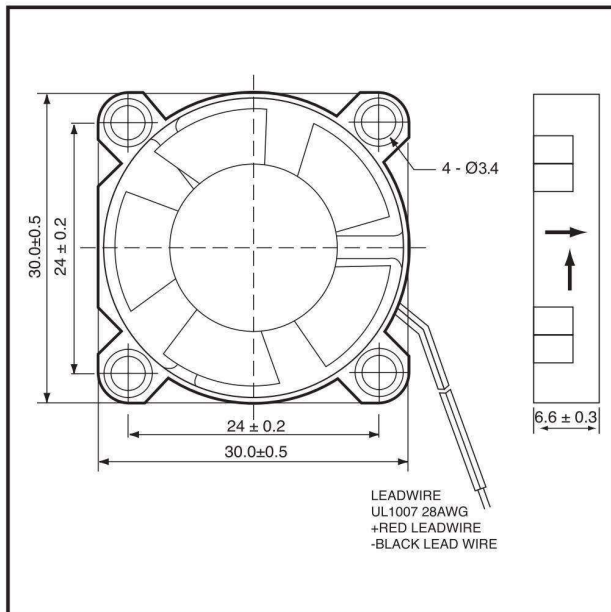
30x30x6mm



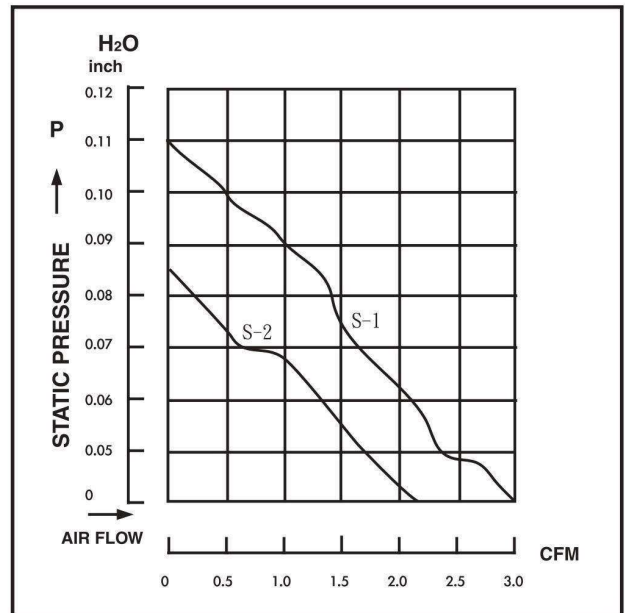
### DESIGN FEATURES

- \*BEARING SYSTEM: BALL BEARING & SLEEVE BEARING
- \*IMPELLER: PLASTIC WITH FIBER GLASS FILLED UL 94V-0
- \*HOUSING: PLASTIC WITH FIBER GLASS FILLED UL 94V-0
- \*MOTOR: BRUSHLESS DC
- \*CONNECTING: WIRE LEADS
- \*SPEED: S-1 HIGH SPEED TYPE  
S-2 MEDIUM SPEED TYPE
- \*AVAILABLE FG TYPE FOR SPEED SENSOR SINGAL

### DIMENSIONS:MM



### PERFORMANCE



### SPECIFICATIONS

Specifications are subject to change without notice

MODEL NO.	VOLTAGE (VDC)	AIR (CFM)	VOLUME (M <sup>3</sup> /MIN)	CURRENT (A)	POWER (W)	SPEED (RPM)	STATIC PRESSURE (INCH-H <sub>2</sub> O)	NOISE (dBA)
FP-108ST/DC	5	3.09	0.087	0.12	0.6	8000	0.11	21
(S-1)	12	3.09	0.087	0.10	1.2	8000	0.11	21
FP-108ST/DC	5	2.32	0.66	0.10	0.50	6000	0.085	19
(S-2)	12	2.32	0.66	0.08	0.96	6000	0.085	19

# COMMONWEALTH DC BRUSHLESS FAN

## FP-108I/DC

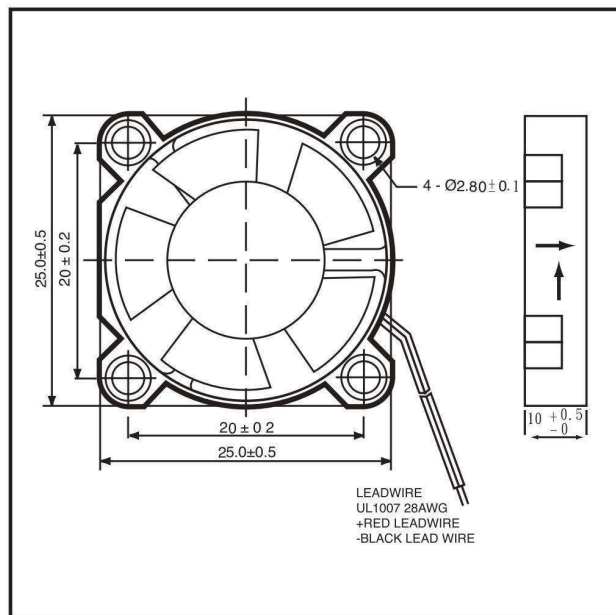
25x25x10mm

### DESIGN FEATURES

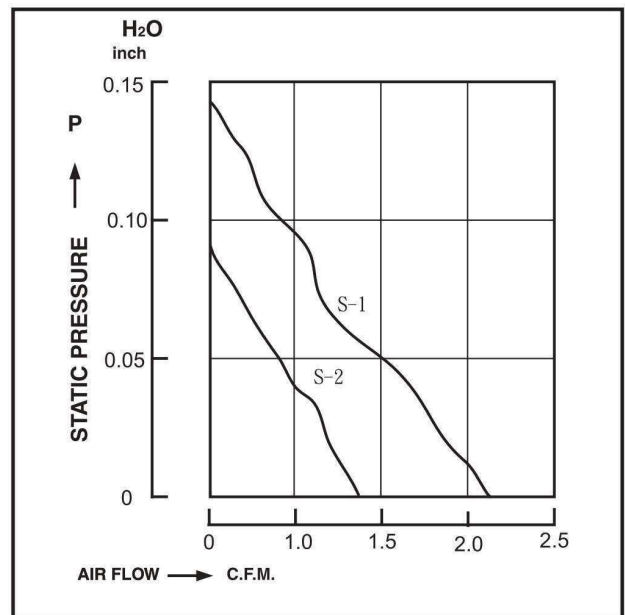
- \*BEARING SYSTEM: SLEEVE BEARING & BALL BEARING
- \*IMPELLER: PLASTIC WITH FIBER GLASS FILLED UL 94V-0
- \*HOUSING: PLASTIC WITH FIBER GLASS FILLED UL 94V-0
- \*MOTOR: BRUSHLESS DC
- \*CONNECTING: WIRE LEADS
- \*SPEED: S-1 HIGH SPEED TYPE  
S-2 MEDIUM SPEED TYPE
- \*AVAILABLE FG TYPE FOR SPEED SENSOR SINGAL



### DIMENSIONS:MM



### PERFORMANCE



### SPECIFICATIONS

Specifications are subject to change without notice

MODEL NO.	VOLTAGE (VDC)	AIR (CFM)	VOLUME (M <sup>3</sup> /MIN)	CURRENT (A)	POWER (W)	SPEED (RPM)	STATIC PRESSURE (INCH-H <sub>2</sub> O)	NOISE (dBA)
FP-108I/DC	5	2.10	0.06	0.11	0.55	10000	0.14	22
(S-1)	12	2.10	0.06	0.09	1.08	10000	0.14	22
FP-108I/DC	5	1.40	0.04	0.05	0.25	7000	0.07	25
(S-2)	12	1.40	0.04	0.06	0.72	7000	0.07	25



# COMMONWEALTH DC BRUSHLESS FAN

## FP-108IT/DC

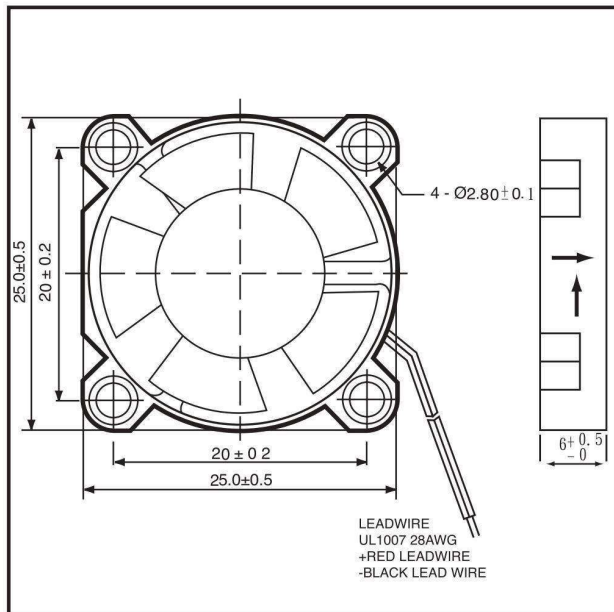
25x25x6mm

### DESIGN FEATURES

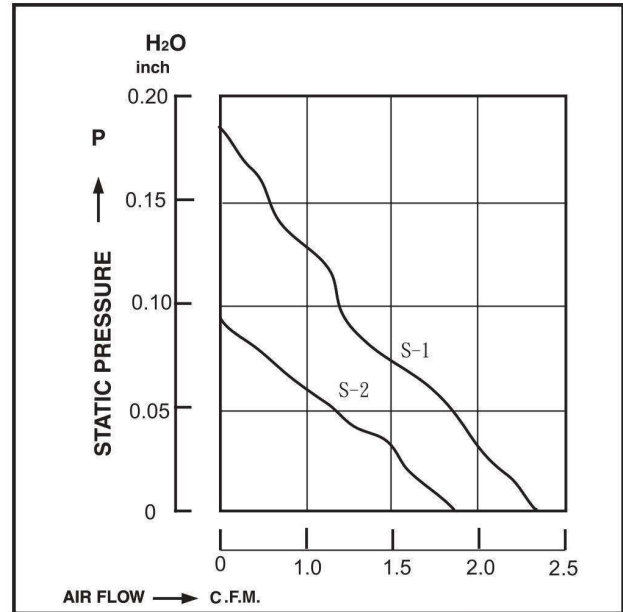
- \*BEARING SYSTEM: BALL BEARING
- \*IMPELLER: PLASTIC WITH FIBER GLASS FILLED UL 94V-0
- \*HOUSING: PLASTIC WITH FIBER GLASS FILLED UL 94V-0
- \*MOTOR: BRUSHLESS DC
- \*CONNECTING: WIRE LEADS
- \*SPEED: S-1 HIGH SPEED TYPE  
S-2 MEDIUM SPEED TYPE
- \*AVAILABLE FG TYPE FOR SPEED SENSOR SINGAL



### DIMENSIONS:MM



### PERFORMANCE



### SPECIFICATIONS

Specifications are subject to change without notice

MODEL NO.	VOLTAGE (VDC)	AIR (CFM)	VOLUME (M <sup>3</sup> /MIN)	CURRENT (A)	POWER (W)	SPEED (RPM)	STATIC PRESSURE (INCH-H <sub>2</sub> O)	NOISE (dBA)
FP-108IT/DC (S-1)	5	2.40	0.067	0.13	0.650	12000	0.183	26
	12	2.40	0.067	0.09	0.45	12000	0.183	26
FP-108IT/DC (S-2)	5	1.8	0.051	0.08	0.40	9000	0.098	20.5
	12	1.8	0.051	0.06	0.12	9000	0.098	20.5